



BMV
Vertical Multi-stage
Centrifugal Pumps



Barmesa[®]
Pumps

Quality Pumps Since 1953

Vertical multi-stage pump	01
Nomenclature	02
Performance scope & specification	03
NPSH & operation in parallel	04
Maximum working pressure & ambient temperature	05
Material	06
Curve BMV1	08
Curve BMV2	09
Curve BMV3	10
Curve BMV4	11
Curve BMV8	12
Curve BMV12	13
Curve BMV16	14
Curve BMV20	15
Curve BMV32	16
Curve BMV42	17
Curve BMV65	18
Curve BMV85	19
Curve BMV120	20
Curve BMV150	21

Vertical multi-stage pump

Pump

The BMV pump is driven by a standard electric motor. The motor output shaft directly connects with the pump shaft through a coupling. The pressure-resistant cylinder and flow passage components are fixed between pump head and inlet & outlet section with stay bolts. The inlet and outlet are located at the pump bottom at the same plane. This kind of pump can be equipped with an intelligent protector to effectively prevent it from dry-running, out-of-phase and overload.

Premium efficiency motor

- ▶ Totally enclosed, fan-cooled, standard efficiency.
- ▶ 2 pole, 3 phase, 60 Hz, 230 / 460 volt.
- ▶ IP55 protection class.
- ▶ Class "F" insulation.

Operation conditions

- ▶ Thin, clean, non-flammable and non-explosive liquid containing, no solid granules and fibers.
- ▶ Liquid temperature:
Normal temperature: $-15\text{ }^{\circ}\text{C}\sim+70\text{ }^{\circ}\text{C}$
Hot water type: $-15\text{ }^{\circ}\text{C}\sim+105\text{ }^{\circ}\text{C}$
- ▶ Ambient temperature: hasta $+40\text{ }^{\circ}\text{C}$
- ▶ Altitude: up to 1000 m

Application

The BMV pump is vertical multi-stage centrifugal pump, the pipeline structure can ensure that the pump can be directly installed in the pipeline system which pipe diameters are the same and the outlet and inlet at the same level. This design of structure makes the connection from pump to pipe more compact. Have different specifications and different series, to meet the requirement of flow rate and pressure. Can transfer not only water but also various industrial liquid medium, suitable for different temperature, flow rate and pressure range. BMV is suitable for mild corrosive liquid.

Water supply:

- ▶ Water filtering and conveying.
- ▶ Water partition.
- ▶ Net pressure boosting for high-rise buildings.
- ▶ Industrial water pressure boosting.

Industrial boosting:

- ▶ Process water system.
- ▶ Cleaning system.
- ▶ High pressure washing system.
- ▶ Fire-fighting system.
- ▶ Car cleaning.

Industrial liquid transportation:

- ▶ Cooling and air conditioning system.
- ▶ Boiler feed water system.
- ▶ Temperature system.
- ▶ Machine matching.

Delivery:

- ▶ Oil and alcohol.
- ▶ Acid and alkali.
- ▶ Ethylene, glycol and coolant.

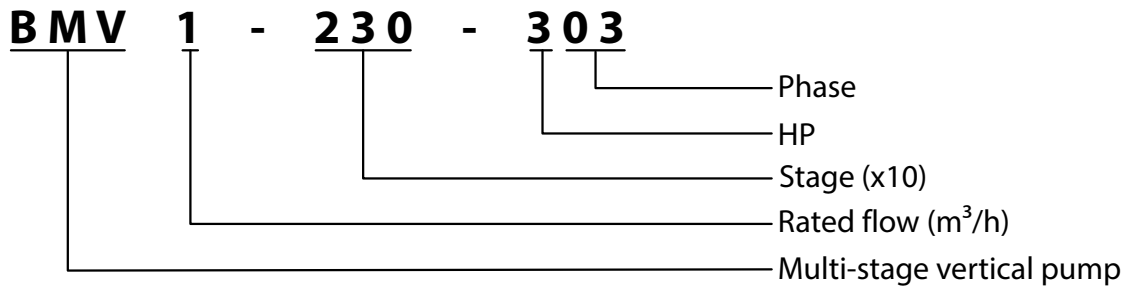
Water treatment:

- ▶ Ultrafiltration system.
- ▶ Reverse osmosis system.
- ▶ Separator

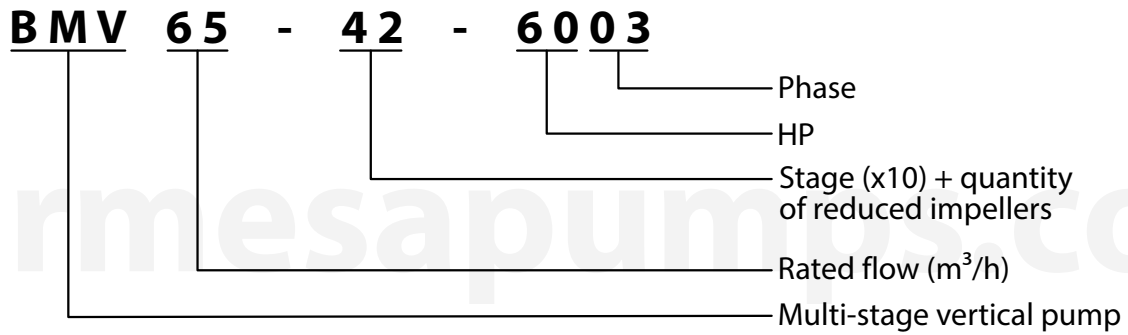
Irrigation:

- ▶ Region irrigation.
- ▶ Sprinkler irrigation.
- ▶ Drip irrigation.

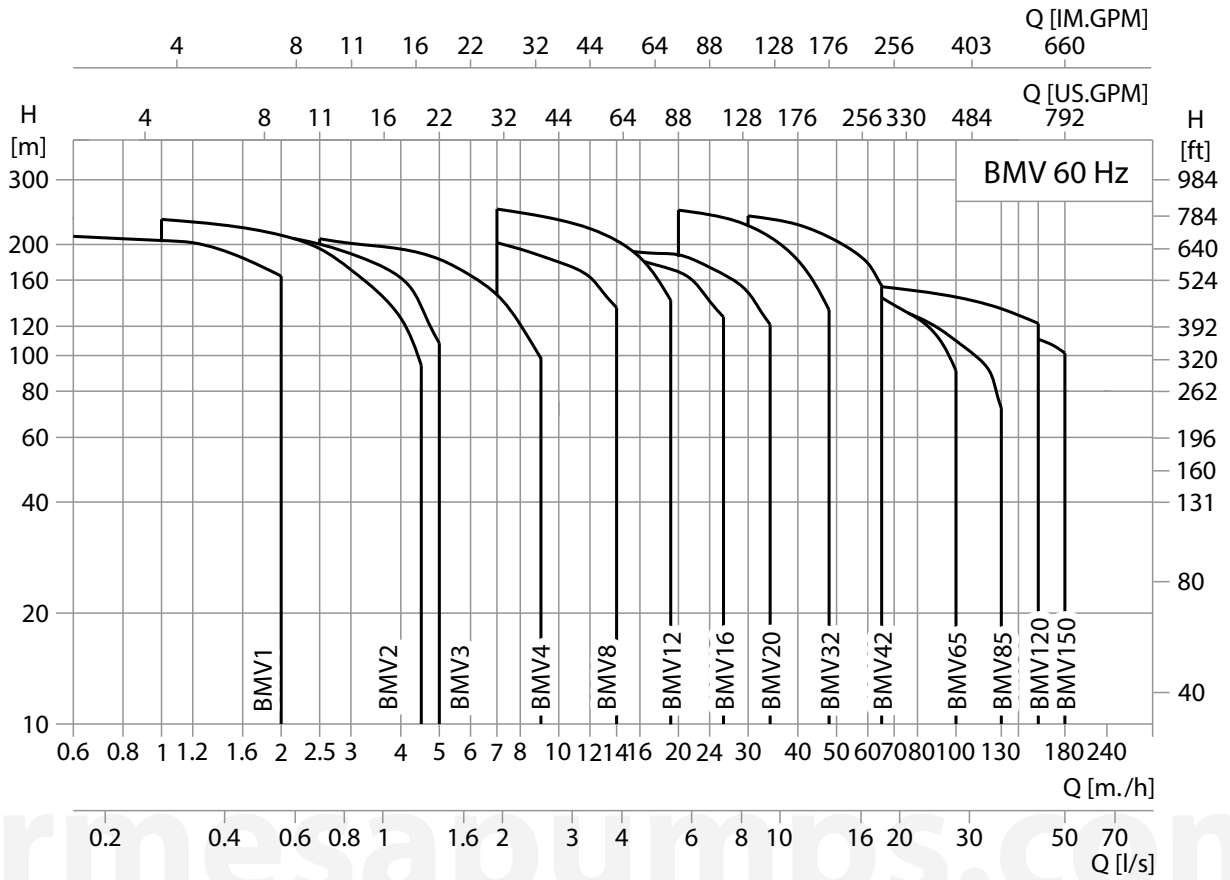
BMV1, 2, 3, 4, 8, 12, 16, 20



BMV32, 42, 65, 85, 120, 150



Performance scope & specification



PARAMETER	BMV1	BMV2	BMV3	BMV4	BMV8	BMV12	BMV16
Rated flow [m ³ /h]	1	2	3	4	8	12	16
Rated flow [l/s]	0.28	0.56	0.83	1.1	2.2	3.3	4.4
Flow range [m ³ /h]	0.6-2	1-4.5	1.5-5	2.5-8	7-14	7-19	10-26
Flow range [l/s]	0.17-0.56	0.28-1.25	0.42-1.4	0.7-2.2	1.9-3.9	1.9-5.3	2.8-7.2
Max. pressure [bar]	22	23.5	23	21	20	25	20
Motor capacity [kW]	0.37-3	0.55-4	0.37-4	0.75-5.5	0.75-11	1.1-15	2.2-18.5
Temp. range [°C]	-15~105						
Max. efficiency [%]	44	46	54	57	62	63	66
Flange	DN25	DN25	DN25	DN32	DN40	DN50	DN50

PARAMETER	BMV20	BMV32	BMV42	BMV65	BMV90	BMV120	BMV150
Rated flow [m ³ /h]	20	32	42	65	90	120	150
Rated flow [l/s]	5.6	8.9	12.5	17.8	25	33	41.6
Flow range [m ³ /h]	12-34	20-48	30-65	40-100	60-130	60-160	80-180
Flow range [l/s]	3.3-9.4	5.5-13.3	8.3-18	11.1-27.7	16.7-36.1	16.7-44.4	22-50
Max. pressure [bar]	20	25	26	18	15	15	14
Motor capacity [kW]	2.2-18.5	3-30	5.5-45	7.5-45	11-45	18.5-75	15-75
Temp. range [°C]	-15~105						
Max. efficiency [%]	69	73	75	76	77	74	73
Flange	DN50	DN65	DN80	DN100	DN100	DN125	DN125

NPSH & operation in parallel

Minimum inlet pressure NPSH

In case that the pressure in pump is lower than the steam pressure used to convey liquid, the cavitations will occur. To avoid cavitations, a minimum pressure at the inlet side of the pump shall be guaranteed. The maximum suction pressure can be calculated with following formula:

$$H = P_b \times 10.2 - NPSH - H_f - H_v - H_s$$

P_b = atmosphere pressure [bar]
(can be set as 1 bar)

In a closed system, P_b means system pressure [bar].

NPSH = net positive suction head [m] (It can be read out from the point of possible max. flow rate shown on NPSH curve).

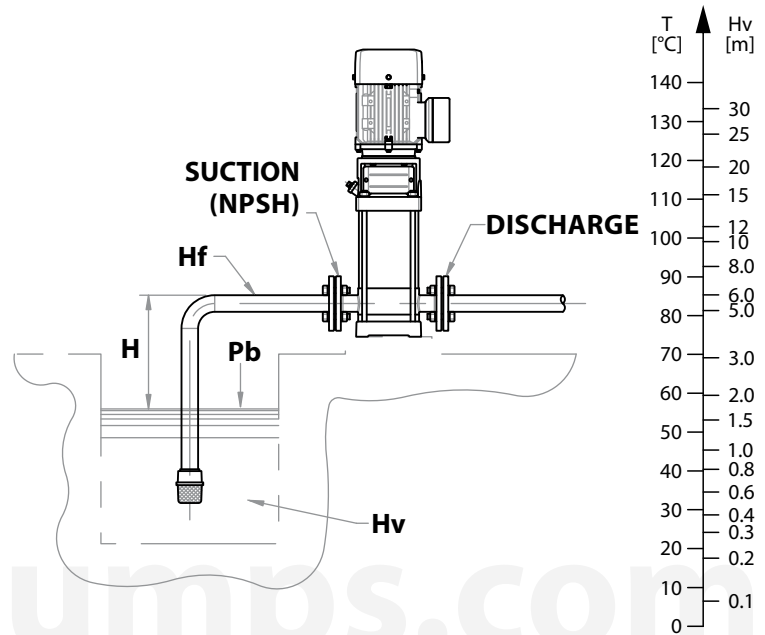
H_f = pipeline loss at the inlet [m].

H_v = steam pressure [m].

H_s = safety margin = minimum 0.5 m delivery head.

If the calculated result H is positive, the pump may run under the max. suction pressure H.

In case the calculated result H is negative, a delivery head of min. inlet pressure is necessary.

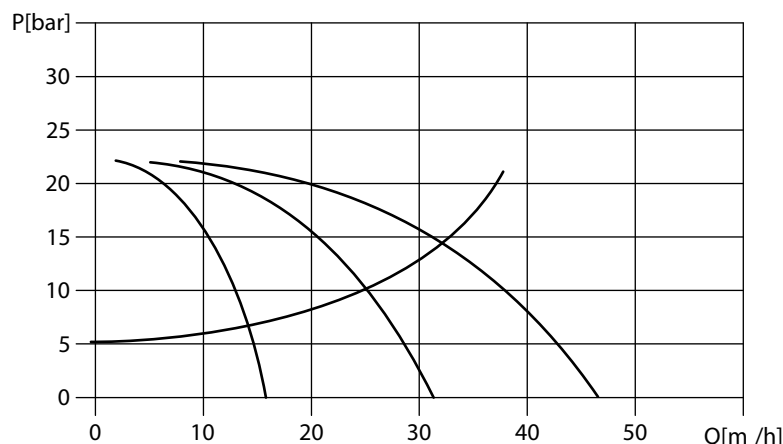


Check and ensure that the pump is not at cavitations state.

Operation in parallel

Connecting several pumps in parallel running will benefit much more than running a single large pump.

- ▶ Applicable to different working states necessary in a variable flow system.
- ▶ Increasing the possibility of water supply when the pump is in failure. Because in case of pump failure, only part of the system flow is affected.

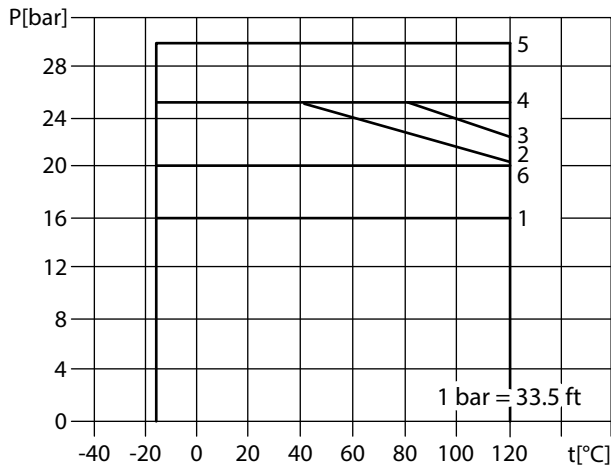


Two pumps or more can be connected in parallel running if necessary.

Max. pressure & temperature

Max. working pressure

The following figure shows the limitation of pressure and temperature, which shall be in the scope as shown in the figure.

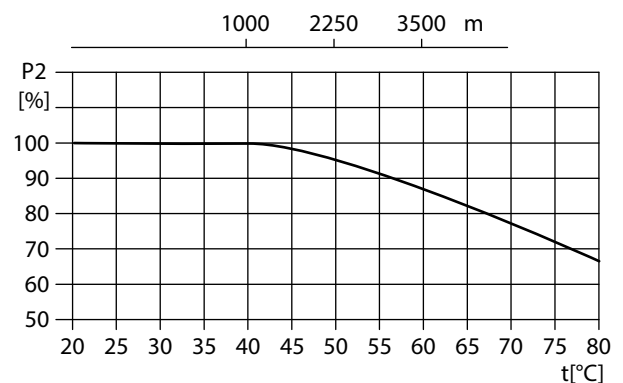


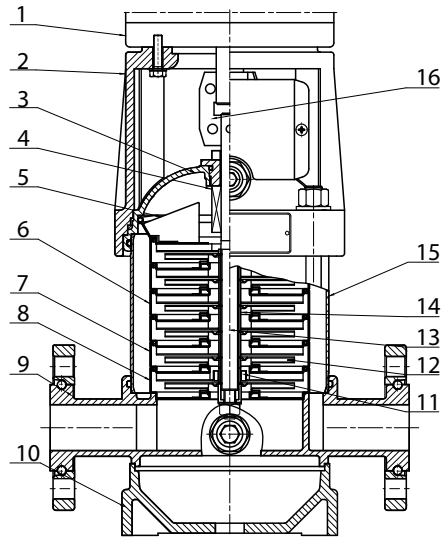
MODEL	CURVE NUMBER
BMV1, 2, 3 & 4	2
BMV8, 12, 16 & 20	3
BMV32	
32-22, 32, 42 & 52	1
32-60, 82 & 92	4
32-90	5
BMV42	
42-10, 20 & 30	1
42-42, 40, 50 & 60	4
BMV65	
65-11, 10, 20 & 30	1
65-42 & 52	4
BMV85	
85-10, 20 & 30	1
85-42	4
BMV120 & 150	6

barmesapumps.com

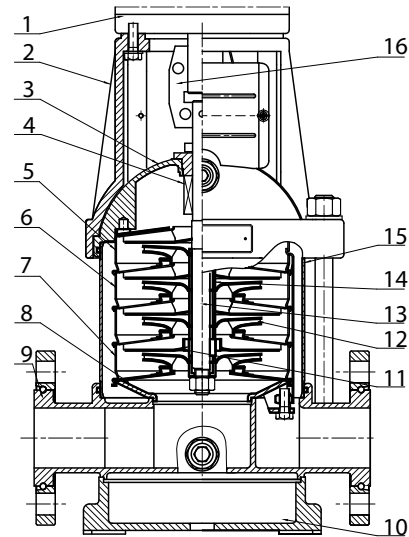
Max. ambient temperature

When the pump operates under ambient temperature higher than 40 °C or under altitude higher than 1000 m, because of low air density and poor cooling effects, the motor output power P2 will be decreased to certain extent. If the pump is operated under the above-said conditions, it should be equipped with motor of higher power.





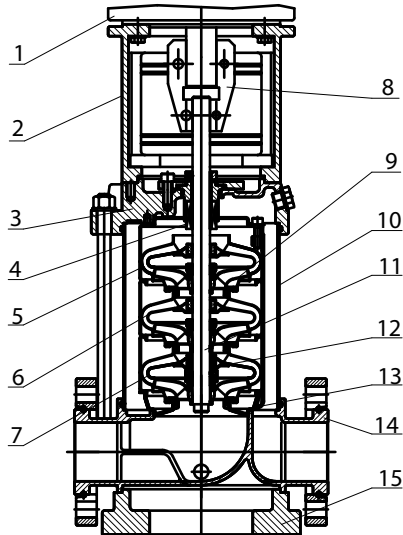
BMV1, 2, 3 & 4



BMV8, 12, 16 & 20

barmesapumps.com

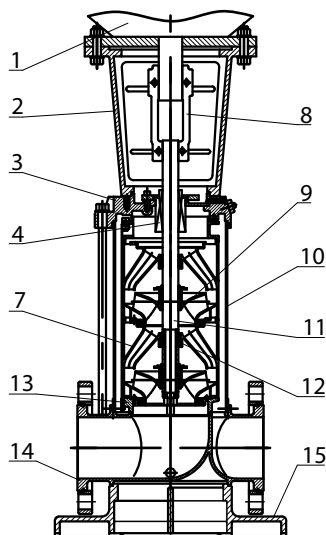
ITEM	NAME	MATERIAL	AISI/ASTM
1	Motor		
2	Pump head	Cast iron	ASTM 25B
3	Seal base	Stainless steel	AISI 304
4	Mechanical seal		
5	Top diffuser	Stainless steel	AISI 304
6	Diffuser	Stainless steel	AISI 304
7	Support diffuser	Stainless steel	AISI 304
8	Inducer	Stainless steel	AISI 304
9	Inlet & outlet chamber	Stainless steel	AISI 304
10	Base plate	Cast iron	ASTM 25B
11	Bearing	Tungsten carbide	
12	Impeller	Stainless steel	AISI 304
13	Shaft	Stainless steel	AISI 304/16L
14	Shaft sleeve	Stainless steel	AISI 304
15	Cylinder	Stainless steel	AISI 304
16	Coupling	Carbon steel	



BMV32, 42, 65 & 85

ITEM	NAME	MATERIAL	AISI/ASTM
1	Motor		
2	Bracket	Cast iron/ ductile iron	ASTM25B ASTM70-50-05
3	Pump head	Stainless steel	AISI 304
4	Mechanical seal		
5	Top diffuser	Stainless steel	AISI 304
6	Diffuser	Stainless steel	AISI 304
7	Support diffuser	Stainless steel	AISI 304
8	Coupling	Ductile iron	ASTM70-50-05
9	Impeller	Stainless steel	AISI 304
10	Cylinder	Stainless steel	AISI 304
11	Shaft	Stainless steel	AISI 304/16L
12	Bearing	Tungsten carbide	
13	Inducer	Stainless steel	AISI 304
14	Inlet & outlet chamber	Stainless steel	AISI 304
15	Base	Cast iron	ASTM 25B

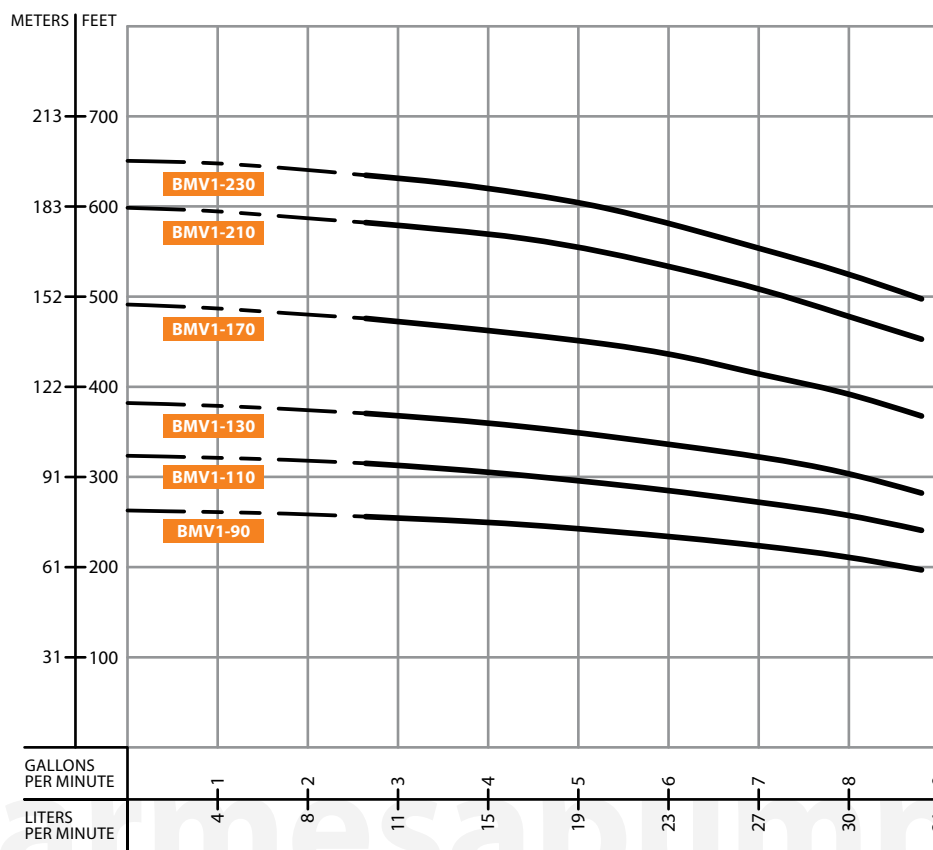
barmesapumps.com



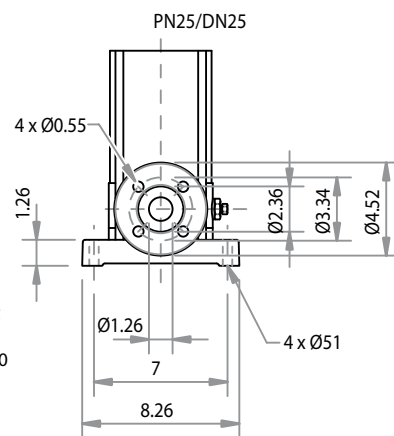
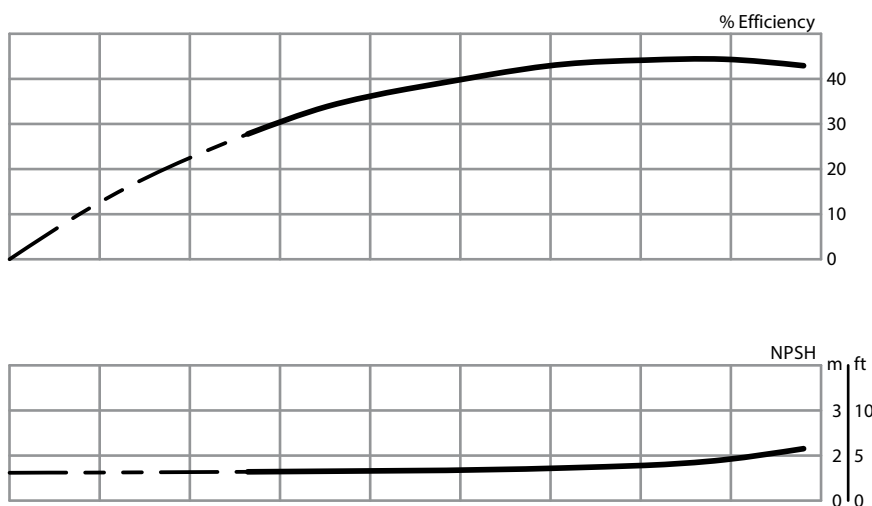
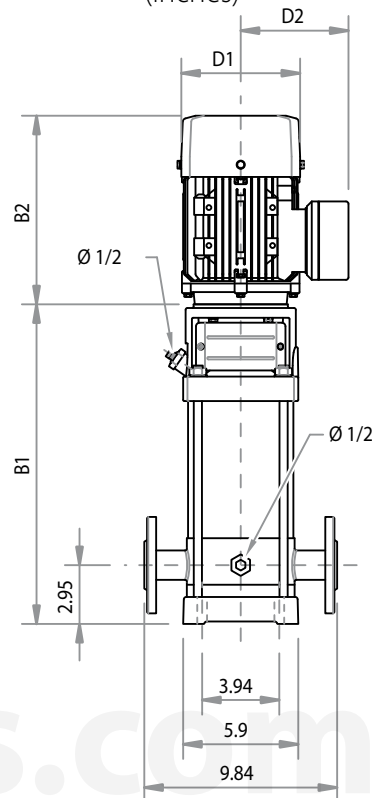
BMV120 & 150

ITEM	NAME	MATERIAL	AISI/ASTM
1	Motor		
2	Bracket	Cast iron/ ductile iron	ASTM25B ASTM70-50-05
3	Pump head	Stainless steel	AISI 304
4	Mechanical seal		
7	Top diffuser	Stainless steel	AISI 304
8	Coupling	Ductile iron	ASTM70-50-05
9	Impeller	Stainless steel	AISI 304
10	Cylinder	Stainless steel	AISI 304
11	Shaft	Stainless steel	AISI 304/16L
12	Bearing	Tungsten carbide	
13	Inducer	Stainless steel	AISI 304
14	Inlet & outlet chamber	Stainless steel	AISI 304
15	Base	Cast iron	ASTM 25B

Curve BMV1



Installation Diagram (inches)



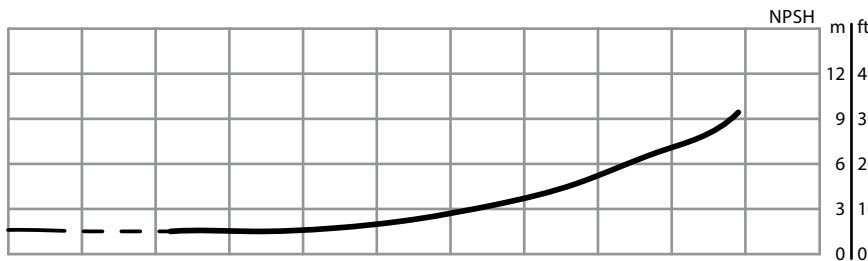
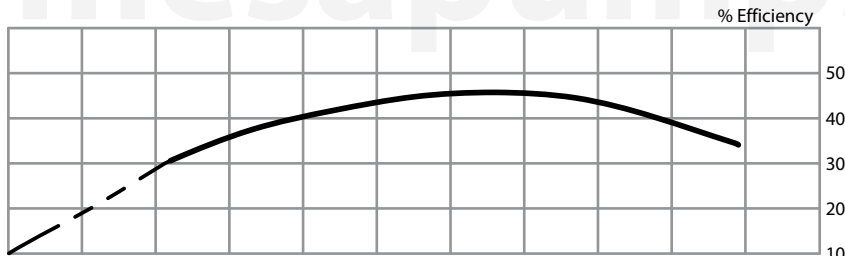
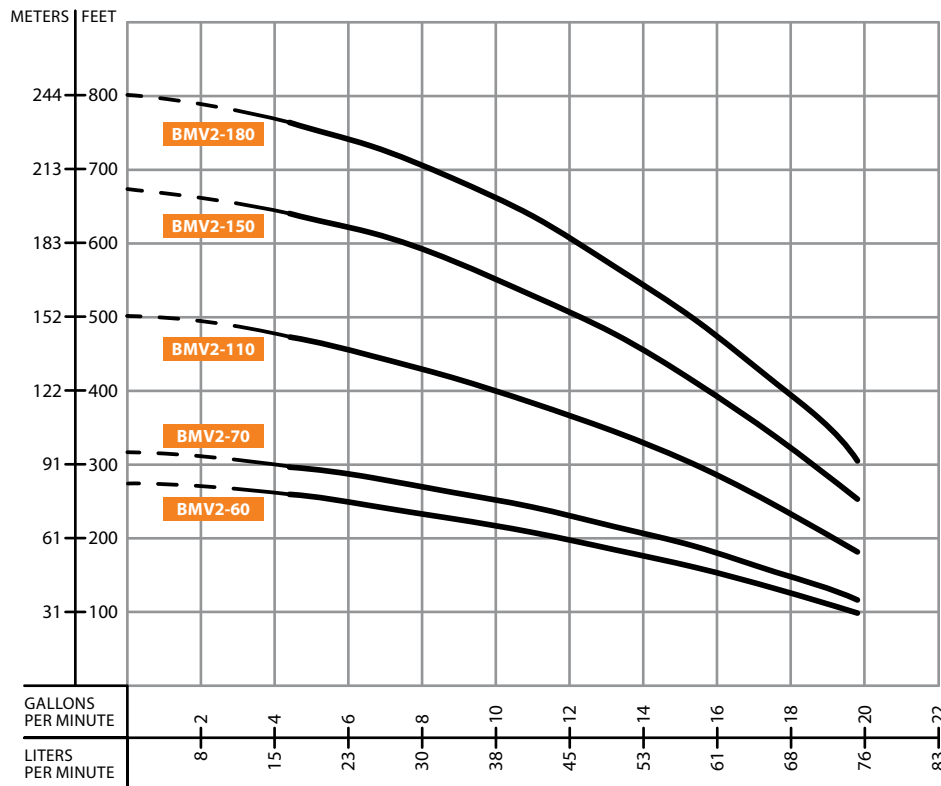
Performance table

MODEL	STAGES	HP	Q (GPM)	2.6	3.5	4.4	5.3	6.2	7	7.9	8.8
BMV1-90-103	9	1	H (ft)	249.3	246.1	242.8	239.5	232.9	216.5	210.0	196.9
BMV1-110-153	11	1.5		311.7	305.1	295.3	285.4	278.9	265.7	255.9	239.5
BMV1-130-153	13	1.5		367.5	360.9	351.0	344.5	328.1	311.7	305.1	282.2
BMV1-170-203	17	2		472.4	462.6	456.0	449.5	433.1	406.8	393.7	367.5
BMV1-210-303	21	3		580.7	570.9	564.3	551.2	531.5	502.0	482.3	452.8
BMV1-230-303	23	3		633.2	623.4	616.8	603.7	570.9	547.9	528.2	498.7

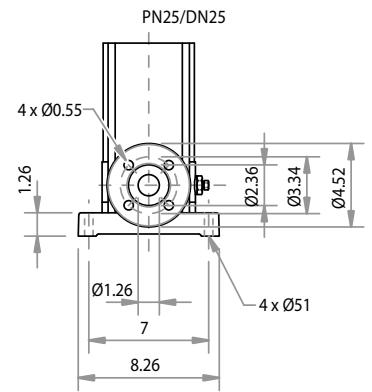
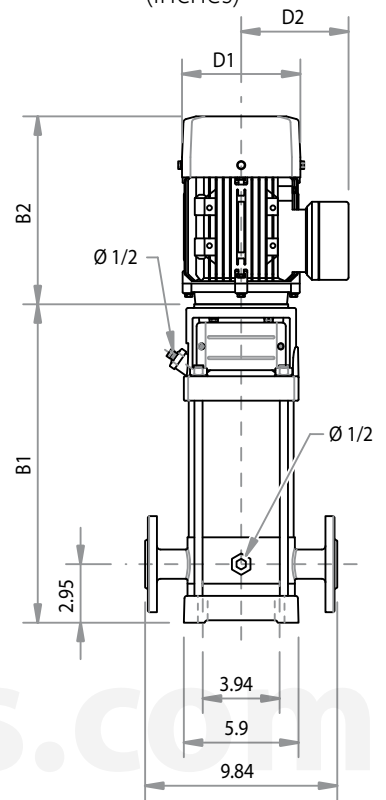
Size and weight

B1	B2	Size (inches)				Weight (lb)
		B1+B2	D1	D2		
15.5	9.6	25.2	6.7	5.6	61.7	
16.9	9.6	26.6	6.7	5.6	63.9	
18.3	9.6	28.0	6.7	5.6	68.3	
21.6	11.4	33.0	7.5	6.1	83.8	
24.4	11.4	35.8	7.5	6.1	92.6	
25.8	11.4	37.2	7.5	6.1	94.8	

Curve BMV2



Installation Diagram (inches)



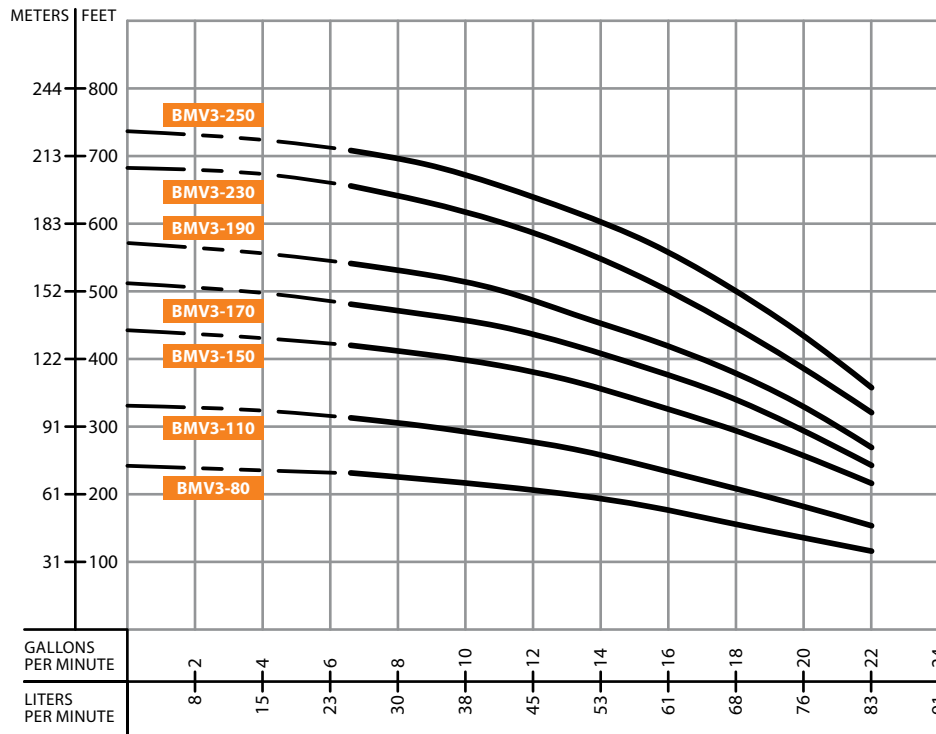
Performance table

MODEL	STAGES	HP	Q (GPM)	4.4	6.6	8.8	11	13.2	15.4	17.6	19.8
BMV2-60-153	6	1.5	H (ft)	255.9	242.8	226.4	206.7	183.7	160.8	131.2	98.4
BMV2-70-203	7	2		298.6	282.2	265.7	242.8	216.5	187.0	154.2	114.8
BMV2-110-303	11	3		469.2	446.2	419.9	380.6	341.2	295.3	246.1	183.7
BMV2-150-403	15	4		639.8	610.2	577.4	524.9	465.9	410.1	337.9	252.6
BMV2-180-503	18	5		767.7	748.0	695.5	639.8	561.0	495.4	413.4	308.4

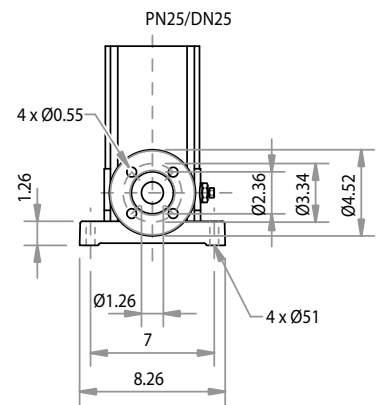
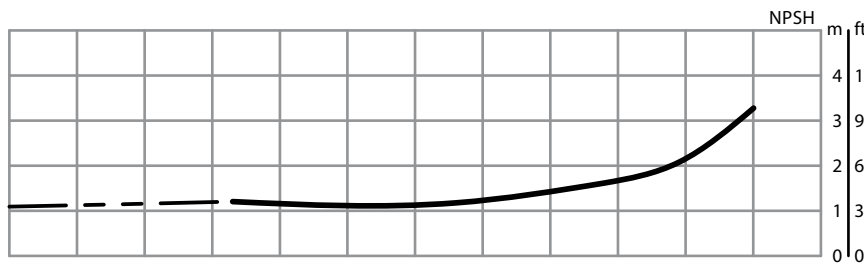
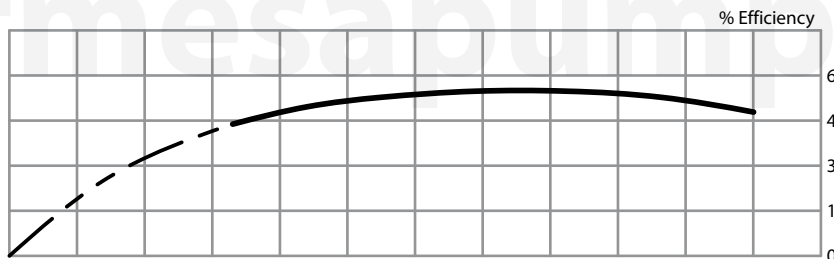
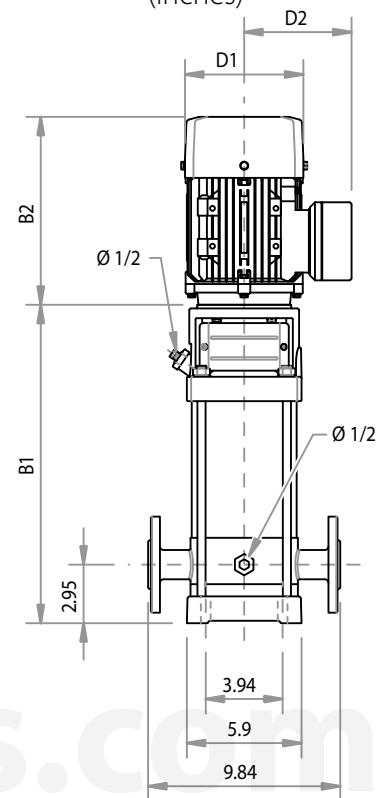
Size and weight

Size (inches)					Weight (lb)
B1	B2	B1+B2	D1	D2	
13.4	9.6	23.0	6.7	5.6	57.3
14.5	11.4	25.9	7.5	6.1	70.5
17.3	11.4	28.7	7.5	6.1	81.6
20.6	12.4	33.0	7.8	6.5	99.2
22.7	13.2	35.9	9.1	7.4	119.0

Curve BMV3



Installation Diagram (inches)



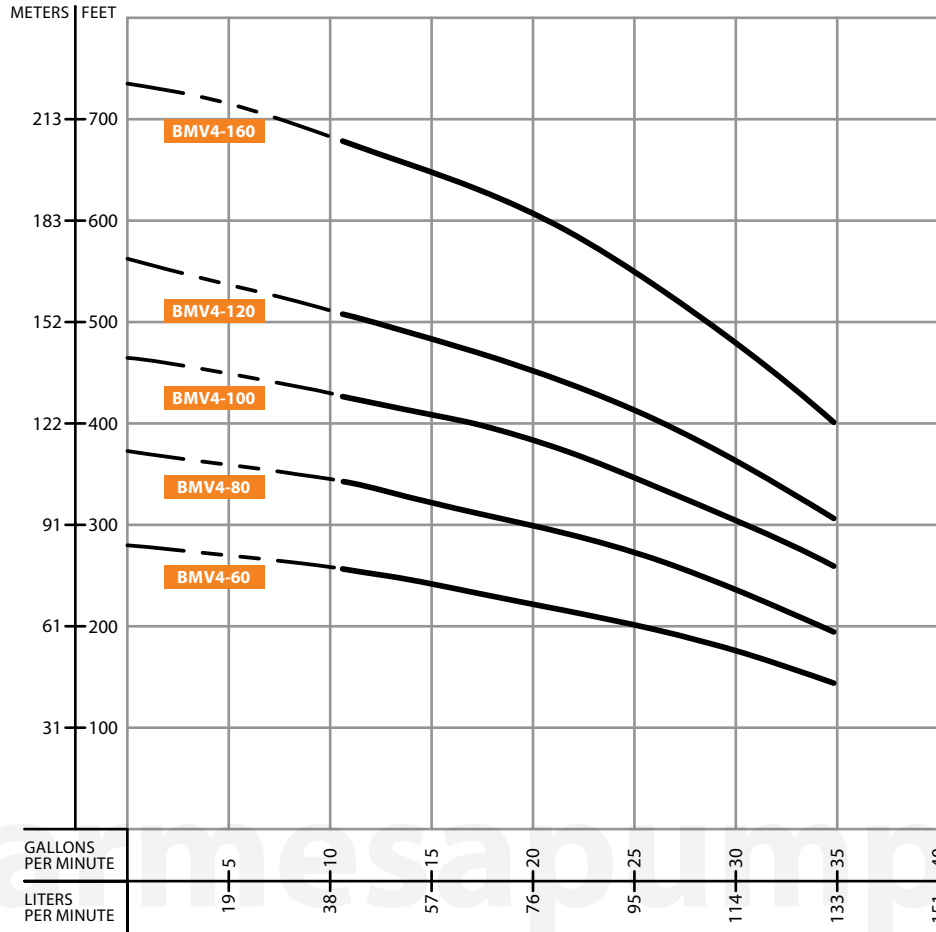
Performance table

MODEL	STAGES	HP	Q (GPM)	H (ft)							
				6.6	8.8	11	13.2	15.4	17.6	19.8	22
BMV3-80-153	8	1.5		229.7	219.8	210.0	200.1	173.9	160.8	144.4	114.8
BMV3-110-203	11	2		315.0	301.8	285.4	269.0	242.8	226.4	193.6	157.5
BMV3-150-303	15	3		423.2	413.4	393.7	367.5	324.8	305.1	265.7	213.3
BMV3-170-303	17	3		482.3	469.2	449.5	419.9	374.0	347.8	298.6	242.8
BMV3-190-403	19	4		541.3	524.9	502.0	465.9	403.5	387.1	334.6	269.0
BMV3-230-403	23	4		656.2	636.5	607.0	570.9	505.2	465.9	400.3	321.5
BMV3-250-503	25	5		711.9	692.3	662.7	613.5	547.9	505.2	439.6	354.3

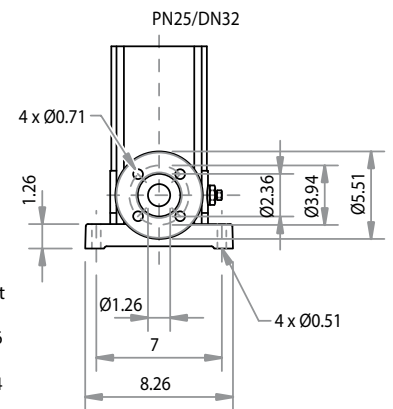
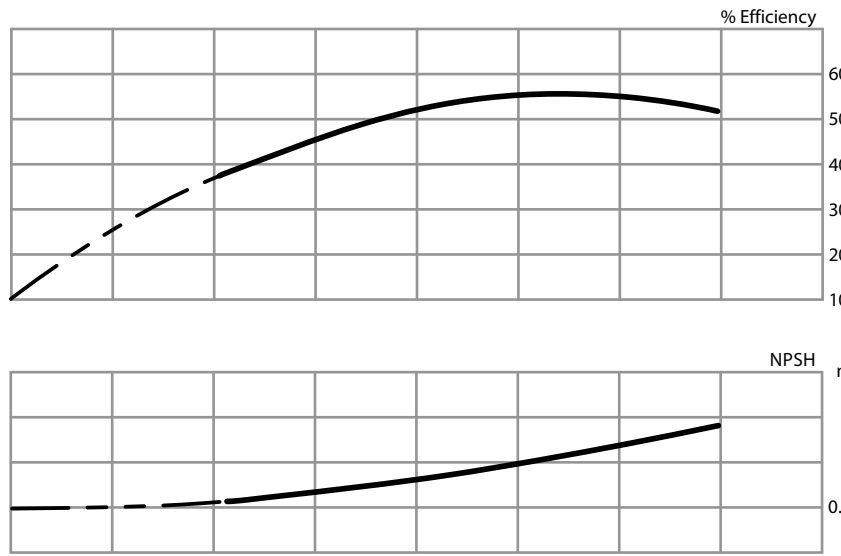
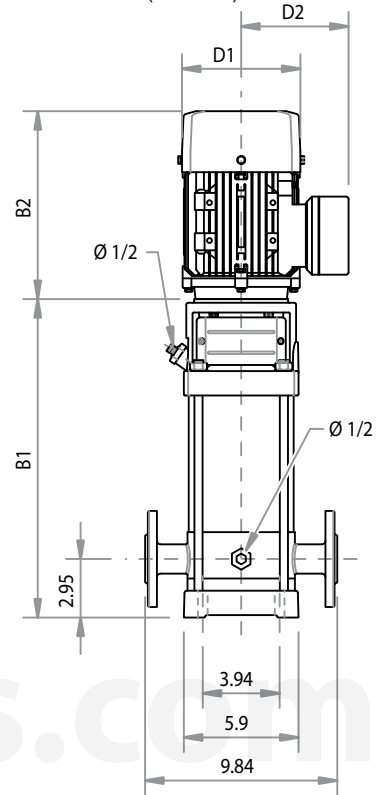
Size and weight

Size (inches)						Weight (lb)
B1	B2	B1+B2	D1	D2		
14.8	9.6	24.4	6.7	5.6	59.5	
17.3	11.4	28.7	7.5	6.1	75.0	
20.2	11.4	31.6	7.5	6.1	86.0	
21.6	11.4	33.0	7.5	6.1	88.2	
23.4	12.4	35.8	7.8	6.5	105.8	
26.2	12.4	38.6	7.8	6.5	110.2	
27.6	13.2	40.8	9.1	7.4	127.9	

Curve BMV4



Installation Diagram (inches)



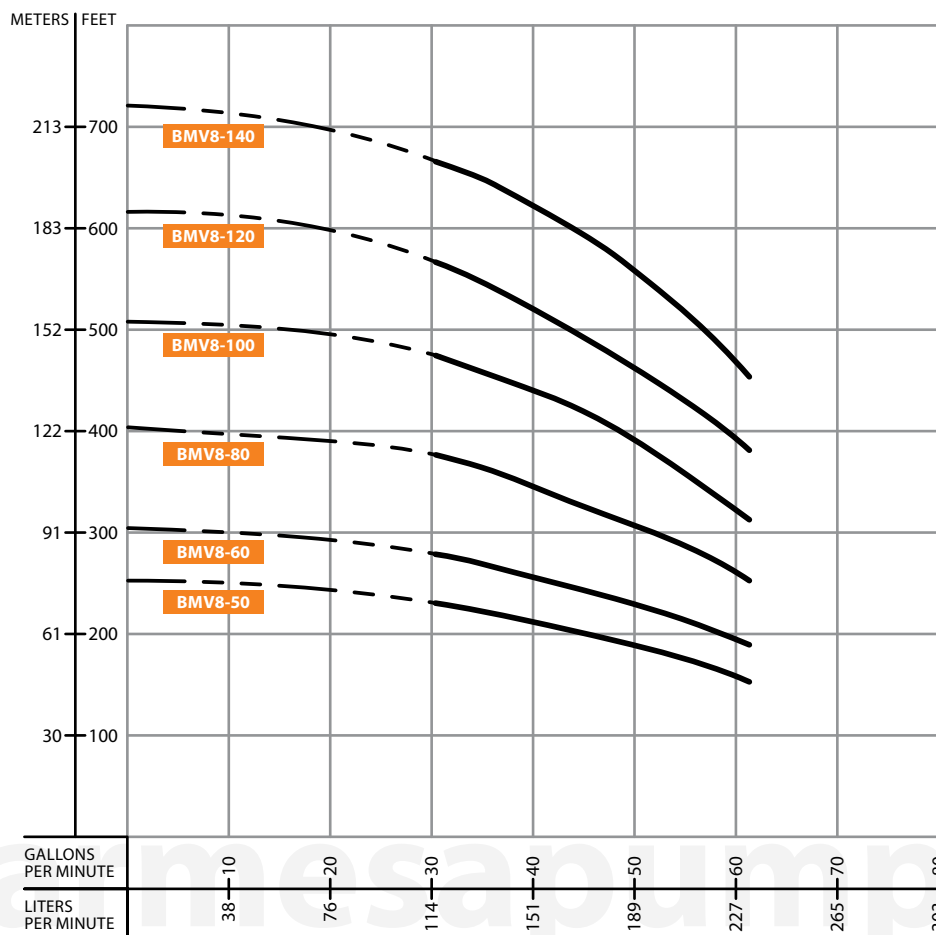
Performance table

MODEL	STAGES	HP	Q (GPM)	11	13.2	17.6	22	26.4	30.8	35.2
BMV4-60-303	6	3	H (ft)	255.9	246.1	236.2	219.8	193.6	177.2	154.2
BMV4-80-403	8	4		341.2	328.1	311.7	295.3	259.2	236.2	206.7
BMV4-100-503	10	5		426.5	410.1	393.7	370.7	334.6	295.3	262.5
BMV4-120-503	12	5		511.8	492.1	475.7	446.2	400.3	357.6	315.0
BMV4-160-753	16	7.5		679.1	659.4	643.0	600.4	541.3	479.0	419.9

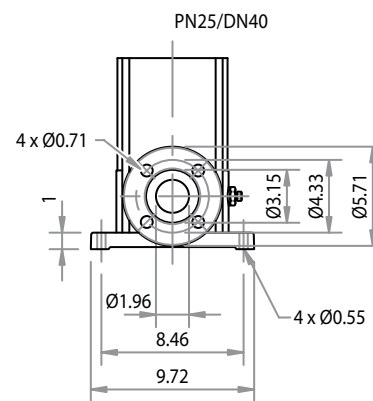
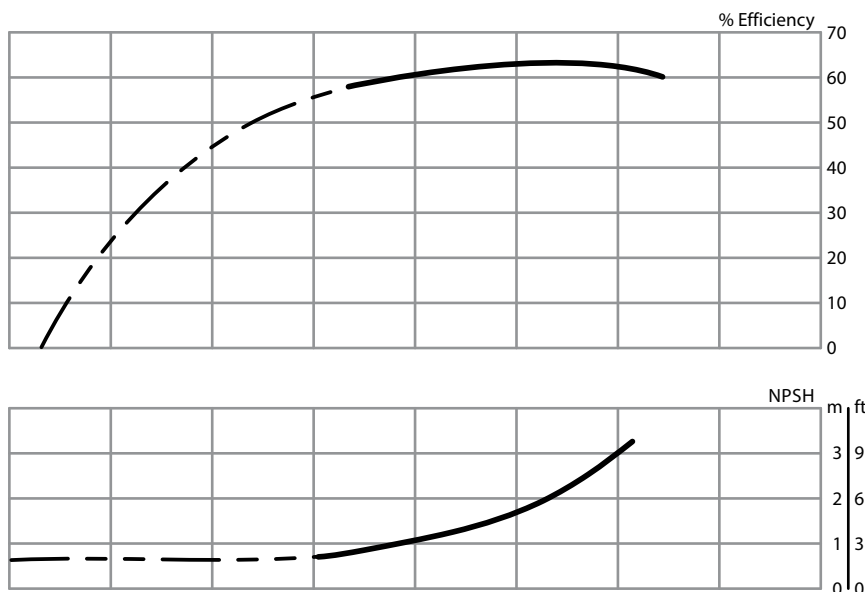
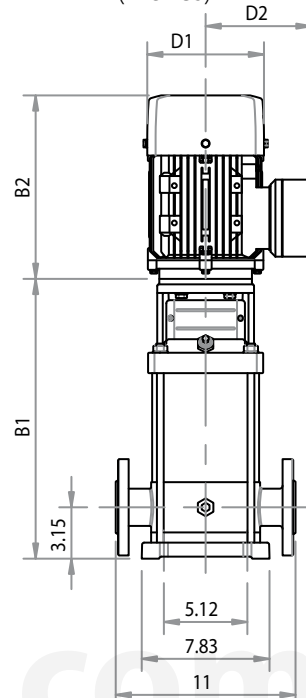
Size and weight

Size (inches)					Weight (lb)
B1	B2	B1+B2	D1	D2	
15.9	11.4	27.3	7.5	6.1	77.2
18.4	13.6	32.0	7.8	6.5	92.6
20.6	13.2	33.7	9.1	7.4	112.4
22.7	13.2	35.9	9.1	7.4	114.6
27.7	16.9	44.6	10.2	8.2	145.5

Curve BMV8



Installation Diagram (inches)



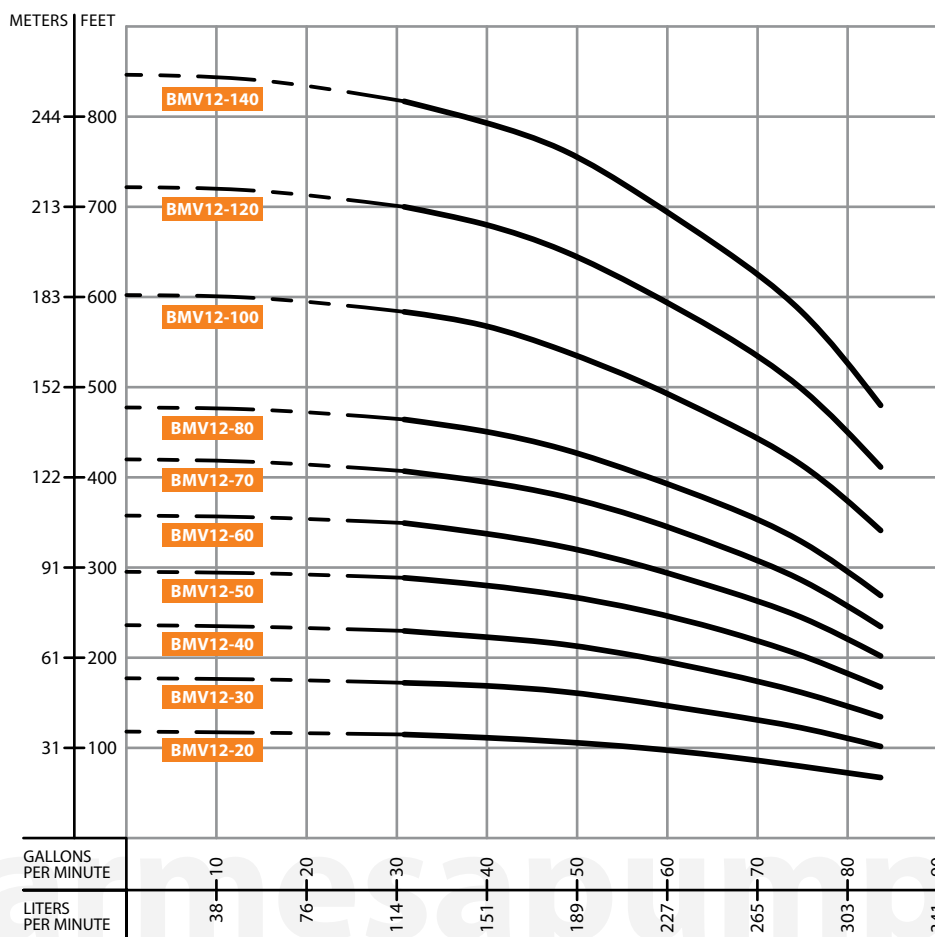
Performance table

MODEL	STAGES	HP	Q (GPM)	30.8	35.2	39.6	44	48.4	52.8	57.2	61.6
BMV8-50-403	5	4	H (ft)	229.7	223.1	213.3	206.7	193.6	183.7	170.6	154.2
BMV8-60-503	6	5		278.9	269.0	255.9	249.3	236.2	223.1	203.4	187.0
BMV8-80-753	8	7.5		377.3	360.9	344.5	331.4	318.2	298.6	275.6	246.1
BMV8-100-1003	10	10		475.7	459.3	433.1	413.4	400.3	377.3	344.5	311.7
BMV8-120-1003	12	10		567.6	547.9	524.9	498.7	482.3	433.1	410.1	377.3
BMV8-140-1503	14	15		662.7	639.8	616.8	587.3	570.9	534.8	482.3	442.9

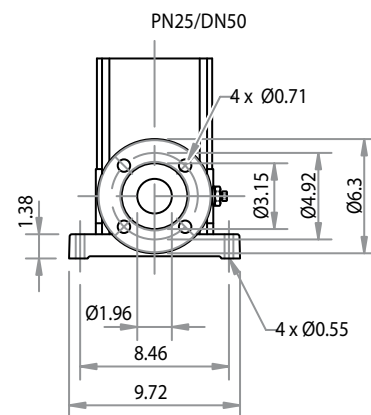
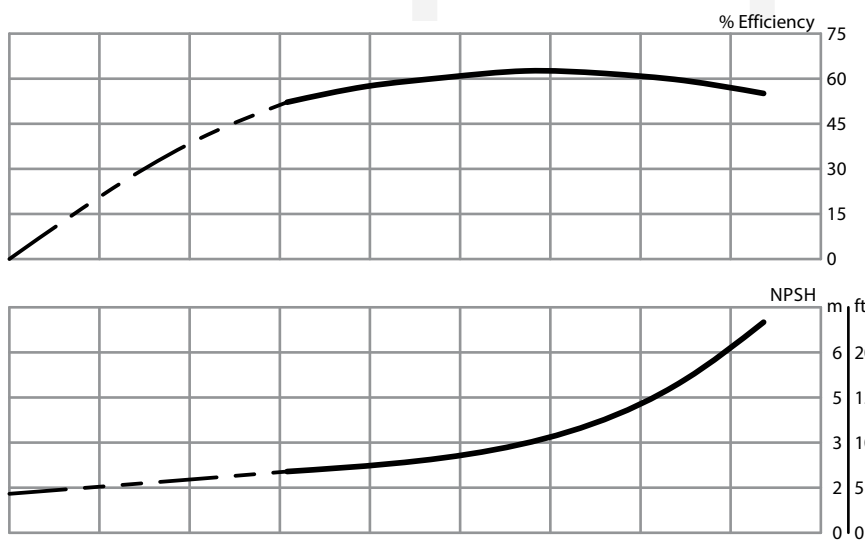
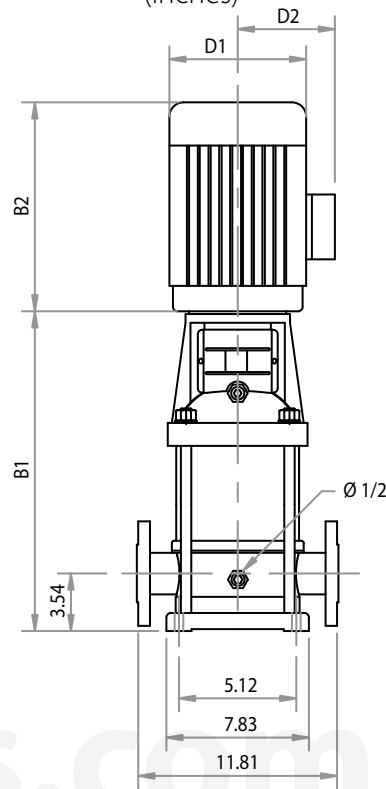
Size and weight

Size (inches)						Weight (lb)
B1	B2	B1+B2	D1	D2		
18.0	12.4	30.4	7.8	6.5	110.2	
19.2	13.2	32.4	9.1	7.4	127.9	
22.3	16.9	39.3	10.2	8.2	156.5	
24.7	16.9	41.6	10.2	8.2	176.4	
27.0	16.9	44.0	10.2	8.2	180.8	
32.9	19.3	52.2	13.0	10.0	337.3	

Curve BMV12



Installation Diagram (inches)



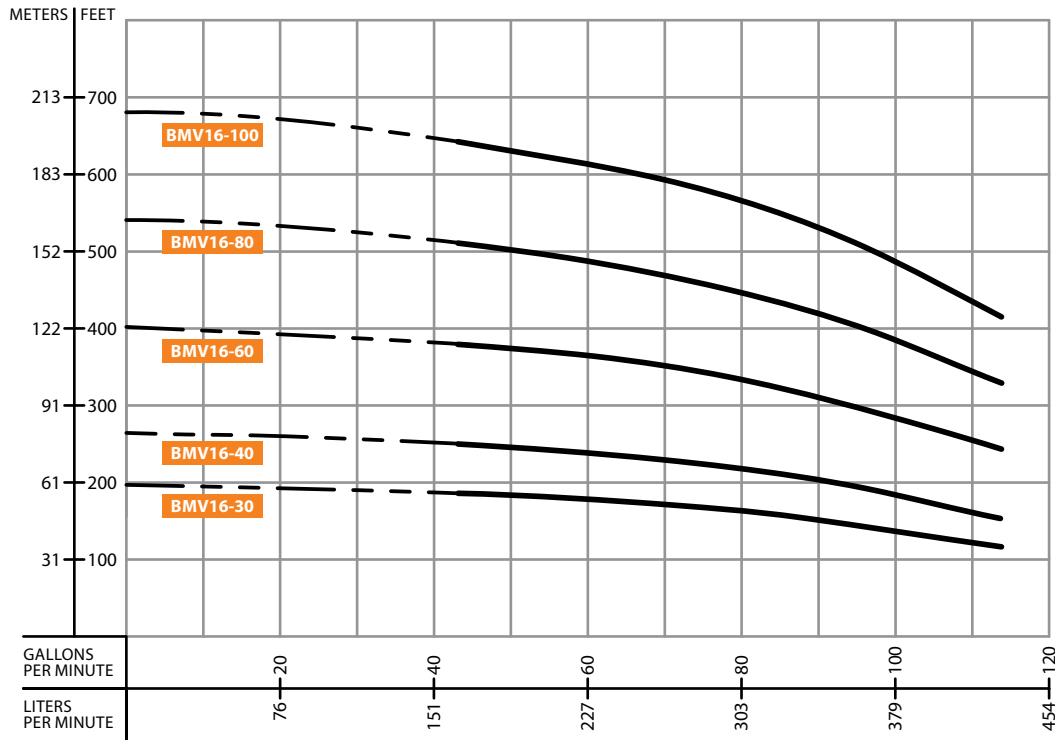
Performance table

MODEL	STAGES	HP	Q (GPM)	30.8	39.6	48.4	52.8	57.2	66	74.8	83.7
BMV12-20-303	2	3	H (ft)	114.8	111.5	106.6	105.0	100.1	88.6	80.4	67.3
BMV12-30-503	3	5		172.2	169.0	164.0	157.5	150.9	136.2	123.0	101.7
BMV12-40-753	4	7.5		229.7	223.1	214.9	210.0	201.8	180.4	162.4	134.5
BMV12-50-753	5	7.5		288.7	282.2	269.0	262.5	252.6	229.7	203.4	167.3
BMV12-60-1003	6	10		351.0	337.9	324.8	315.0	301.8	275.6	246.1	200.1
BMV12-70-1003	7	10		406.8	397.0	380.6	367.5	351.0	318.2	288.7	232.9
BMV12-80-1503	8	15		462.6	449.5	433.1	419.9	400.3	364.2	331.4	269.0
BMV12-100-1503	10	15		584.0	567.6	544.6	528.2	502.0	459.3	419.9	341.2
BMV12-120-2003	12	20		698.8	682.4	652.9	633.2	607.0	551.2	505.2	410.1
BMV12-140-2003	14	20		816.9	794.0	764.4	738.2	708.7	649.6	590.6	475.7

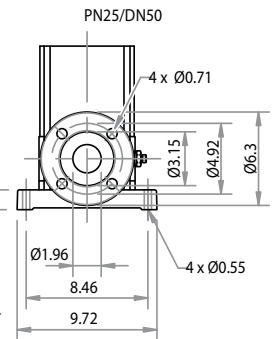
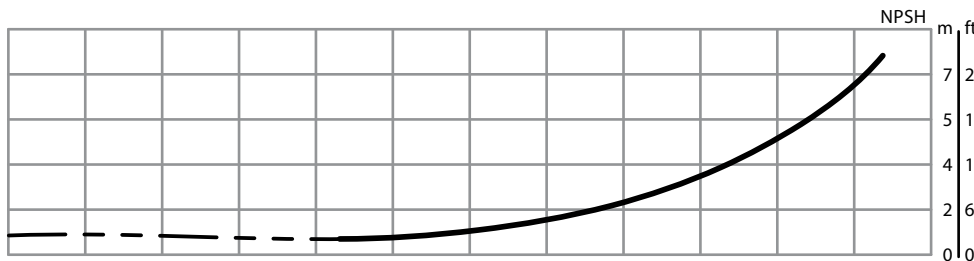
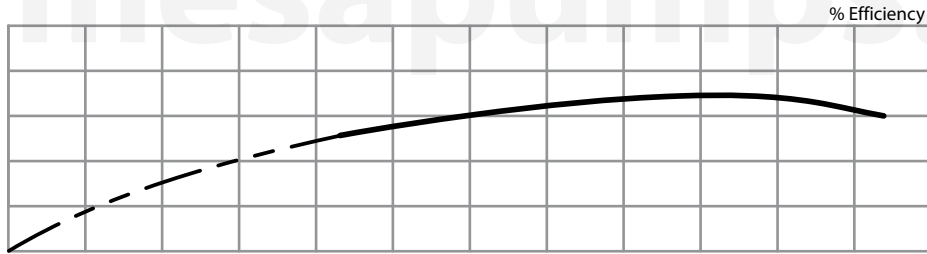
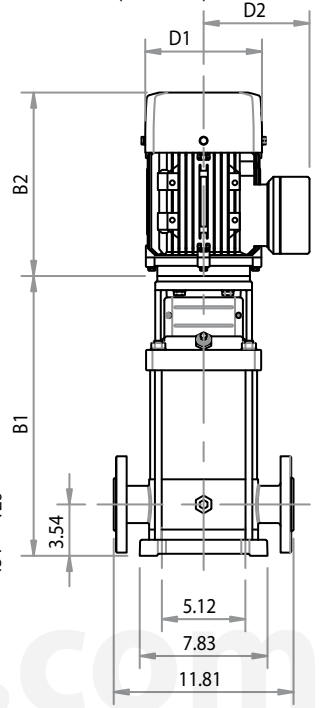
Size and weight

Size (inches)						Weight (lb)
B1	B2	B1+B2	D1	D2		
14.4	11.4	25.9	7.5	6.1	90.4	
16.0	13.2	29.2	9.1	7.4	123.5	
18.0	16.9	34.9	10.2	8.2	152.1	
19.2	16.9	36.1	10.2	8.2	156.5	
20.4	16.9	37.3	10.2	8.2	169.8	
21.5	16.9	38.5	10.2	8.2	172.0	
26.2	19.3	45.5	13.0	10.0	324.1	
28.5	19.3	47.8	13.0	10.0	332.9	
30.9	19.3	50.2	13.0	10.0	361.6	
33.3	19.3	52.6	13.0	10.0	368.2	

Curve BMV16



Installation Diagram (inches)



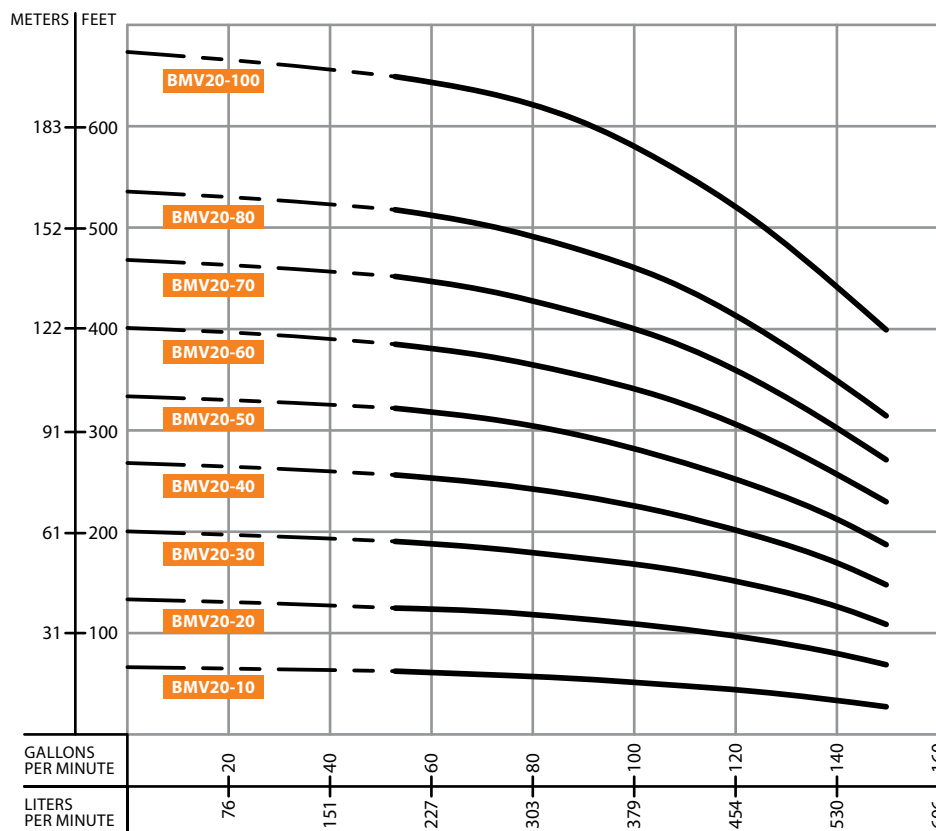
Performance table

MODEL	STAGES	HP	Q (GPM)	44	52.8	61.6	70.4	79.3	88.1	96.9	105.7	114.5
BMV16-30-753	3	7.5	H (ft)	187.0	183.7	180.4	177.2	167.3	157.5	147.6	131.2	118.1
BMV16-40-1003	4	10		249.3	246.1	239.5	236.2	223.1	210.0	196.9	177.2	160.8
BMV16-60-1503	6	15		377.3	370.7	364.2	354.3	334.6	315.0	298.6	269.0	246.1
BMV16-80-2003	8	20		508.5	498.7	485.6	472.4	449.5	426.5	400.3	364.2	331.4
BMV16-100-2503	10	25		646.3	629.9	613.5	593.8	570.9	541.3	502.0	456.0	416.7

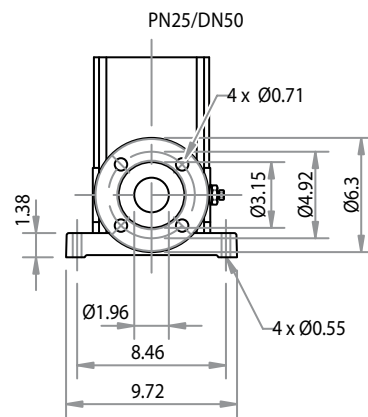
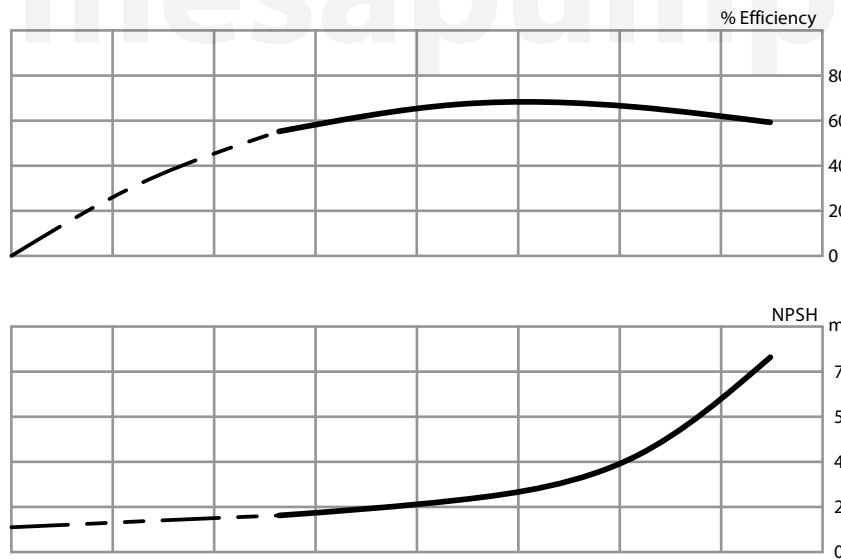
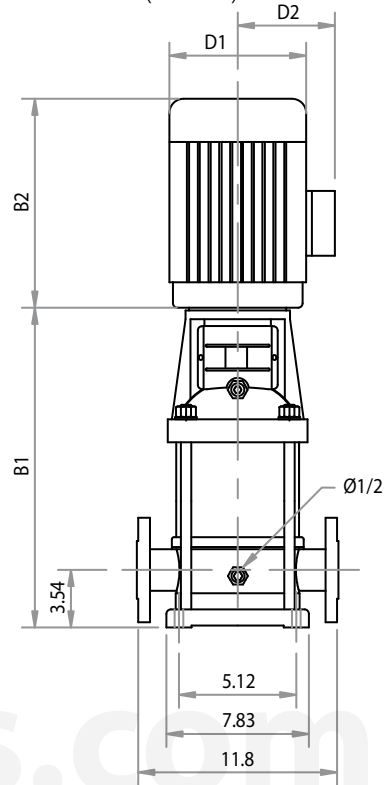
Size and weight

Size (inches)					Weight (lb)
B1	B2	B1+B2	D1	D2	
18.6	16.9	35.5	10.2	8.2	149.9
20.4	16.9	37.3	10.2	8.2	165.3
27.4	19.3	46.7	13.0	10.0	330.7
30.9	19.3	50.2	13.0	10.0	359.4
34.4	21.7	56.1	13.0	10.0	410.1

Curve BMV20



Installation Diagram (inches)



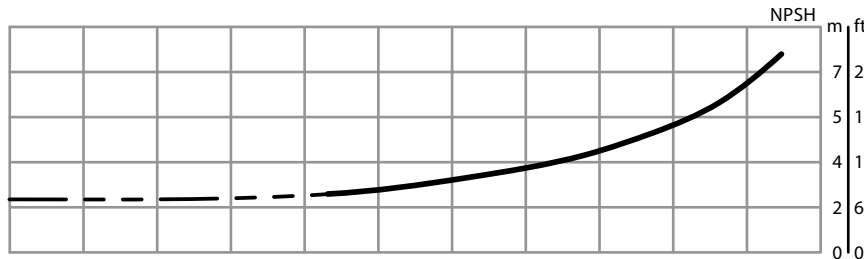
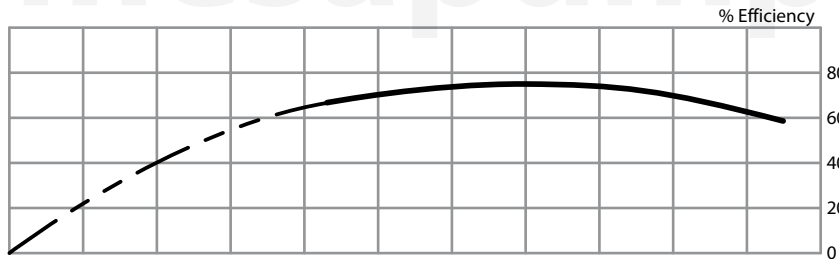
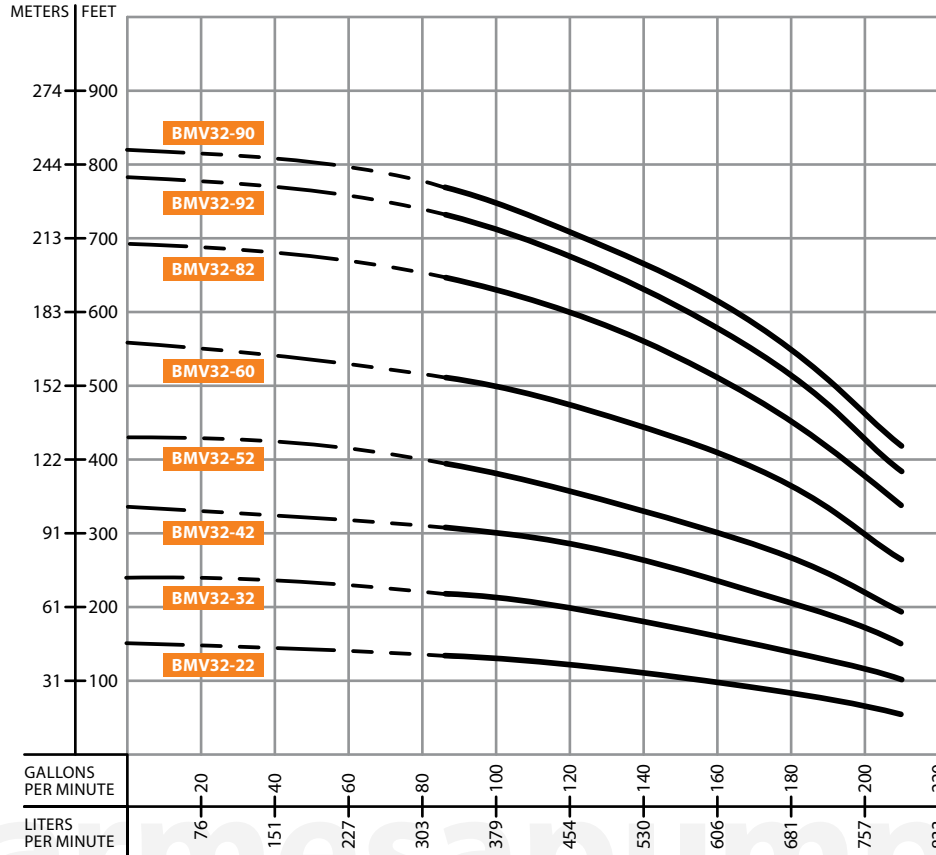
Performance table

MODEL	STAGES	HP	Q (GPM)	H (ft)						
				52.8	70.4	88.1	105.7	123.3	140.9	149.7
BMV20-10-303	1	3		62.3	59.1	55.8	49.2	42.7	32.8	27.9
BMV20-20-503	2	5		124.7	121.4	114.8	105.0	95.1	78.7	68.9
BMV20-30-753	3	7.5		190.3	183.7	173.9	164.0	147.6	124.7	108.3
BMV20-40-1003	4	10		255.9	246.1	236.2	219.8	196.9	167.3	147.6
BMV20-50-1503	5	15		321.5	308.4	295.3	278.9	246.1	210.0	187.0
BMV20-60-1503	6	15		387.1	370.7	354.3	334.6	298.6	252.6	229.7
BMV20-70-2003	7	20		452.8	436.4	416.7	390.4	351.0	298.6	272.3
BMV20-80-2003	8	20		518.4	502.0	479.0	449.5	403.5	344.5	315.0
BMV20-100-2503	10	25		649.6	633.2	607.0	564.3	508.5	436.4	400.3

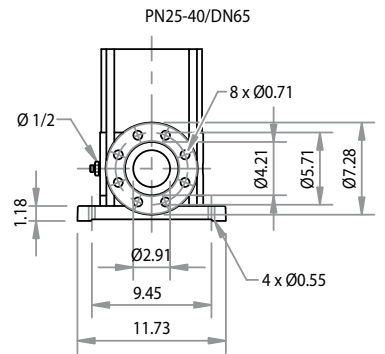
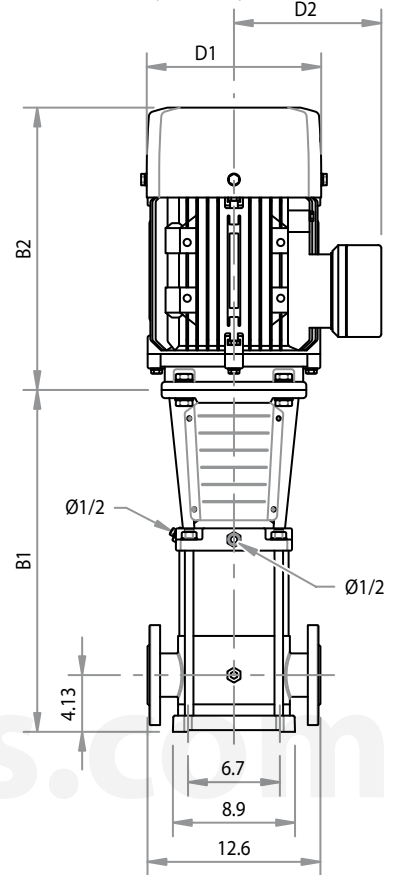
Size and weight

B1	B2	B1+B2	Size (inches)		Weight (lb)
			D1	D2	
15.6	11.4	27.0	7.5	6.1	90.4
16.0	13.2	29.2	9.1	7.4	123.5
18.6	16.9	35.5	10.2	8.2	152.1
20.4	16.9	37.3	10.2	8.2	174.2
25.6	19.3	44.9	13.0	10.0	326.3
27.4	19.3	46.7	13.0	10.0	330.7
29.1	19.3	48.4	13.0	10.0	357.1
30.9	19.3	50.2	13.0	10.0	359.4
34.4	21.7	56.1	13.0	10.0	412.3

Curve BMW32



Installation Diagram (inches)



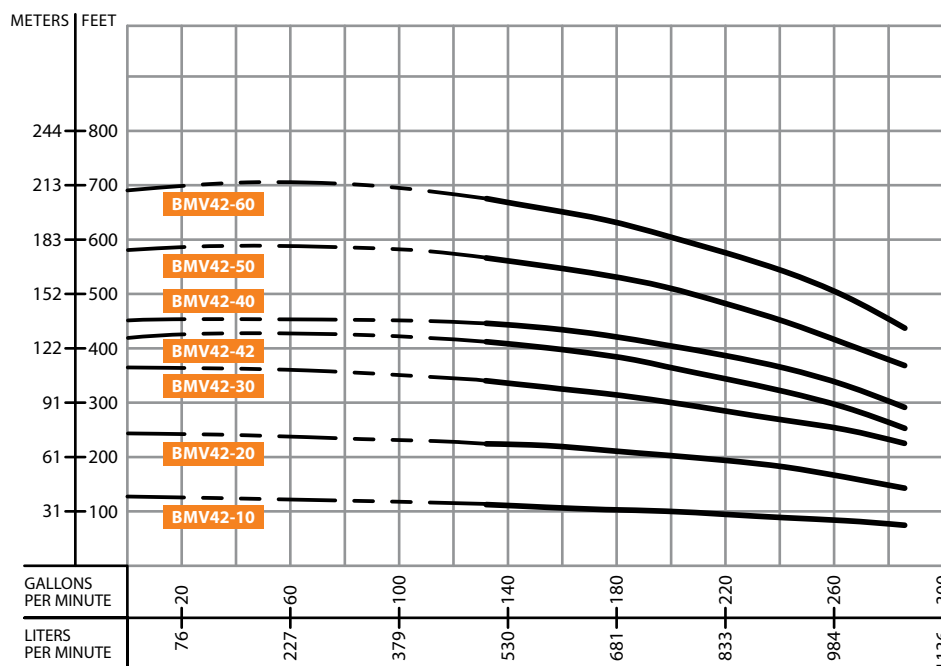
Performance table

MODEL	STAGES	HP	Q (GPM)	88.1	105.7	123.3	140.9	158.5	176.1	193.7	211.3
BMW32-22-753	2	7.5	H (ft)	134.5	131.2	124.7	114.8	101.7	88.6	72.2	55.8
BMW32-32-1003	3	10		219.8	210.0	200.1	187.0	170.6	150.9	128.0	101.7
BMW32-42-1503	4	15		308.4	298.6	285.4	265.7	239.5	213.3	183.7	147.6
BMW32-52-2003	5	20		390.4	377.3	357.6	334.6	308.4	275.6	239.5	193.6
BMW32-60-2503	6	25		508.5	492.1	472.4	446.2	413.4	374.0	328.1	265.7
BMW32-82-3003	8	30		643.0	623.4	597.1	564.3	521.7	469.2	406.8	334.6
BMW32-92-4003	9	40		731.6	708.7	675.9	636.5	587.3	531.5	465.9	383.9
BMW32-90-4003	9	40		767.7	741.5	708.7	669.3	620.1	564.3	498.7	416.7

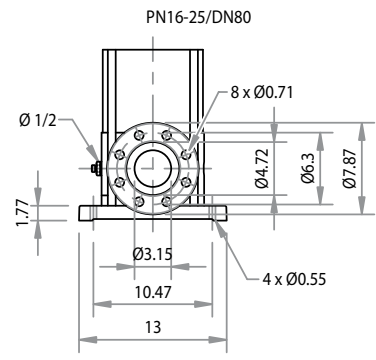
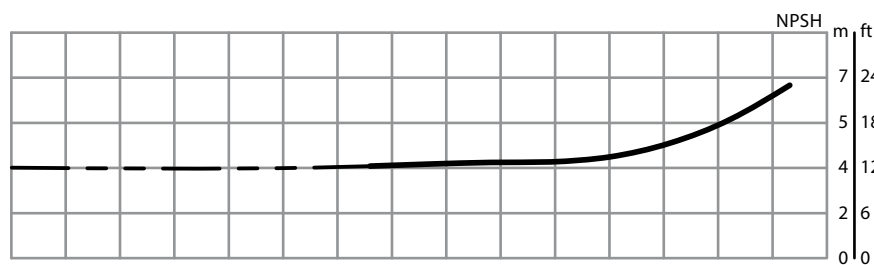
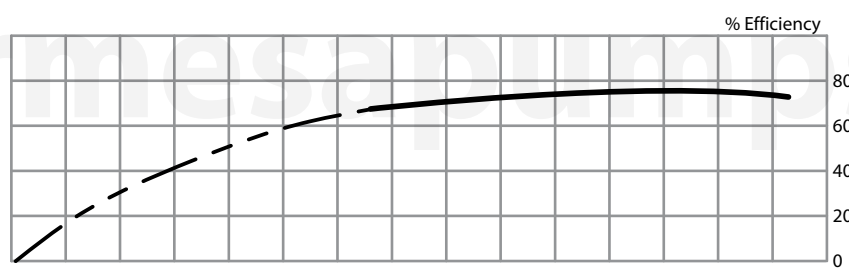
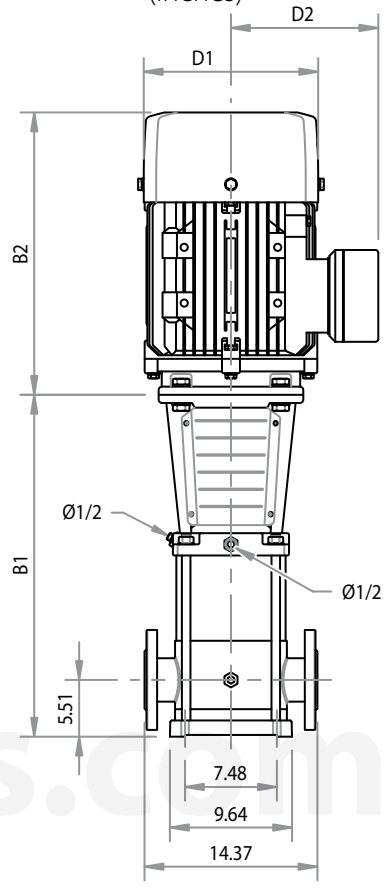
Size and weight

Size (inches)					Weight (lb)
B1	B2	B1+B2	D1	D2	
22.6	16.9	39.6	10.2	8.2	209.4
25.4	19.3	44.7	13.0	10.0	229.3
32.3	19.3	51.6	13.0	10.0	388.0
35.0	19.3	54.3	13.0	10.0	421.1
37.8	21.7	59.4	13.0	10.0	476.2
43.3	23.2	66.5	15.7	12.2	571.0
46.1	26.0	72.0	15.7	12.2	703.3
46.1	26.0	72.0	15.7	12.2	703.3

Curve BMV42



Installation Diagram (inches)



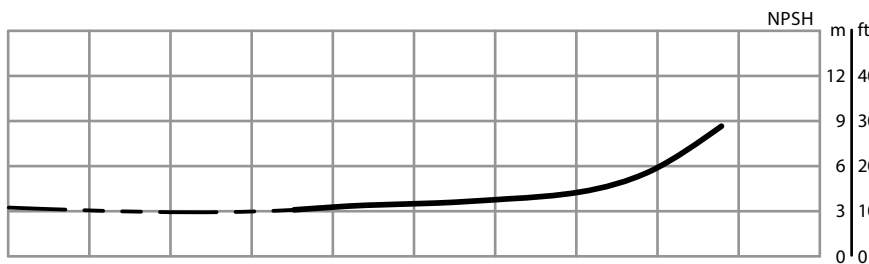
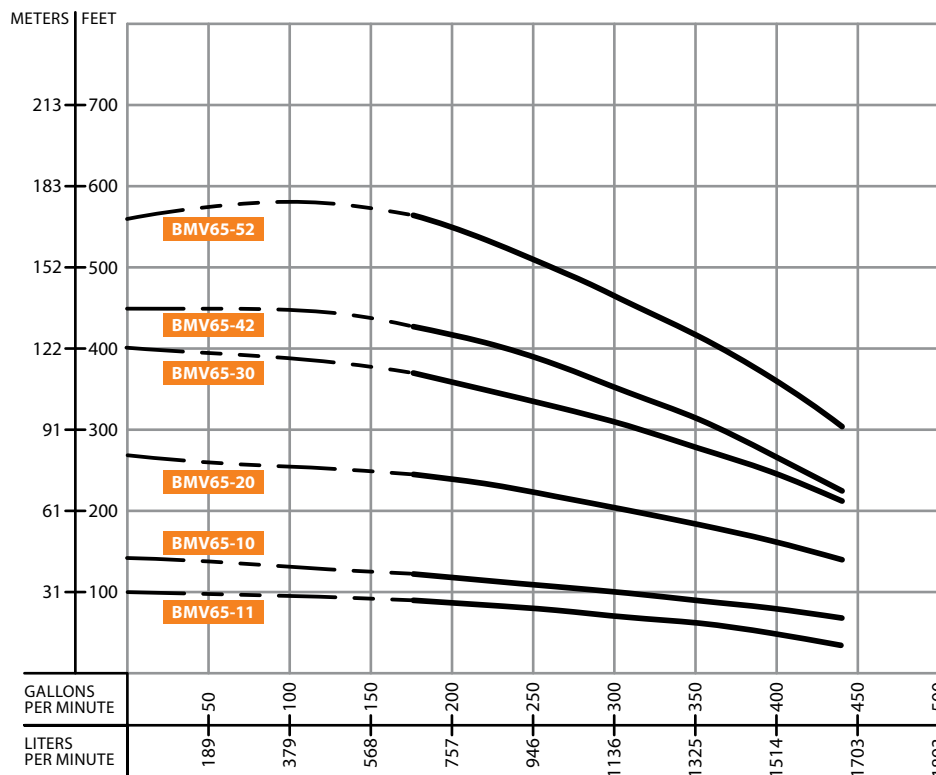
Performance table

MODEL	STAGES	HP	Q (GPM)	132.1	154.1	176.1	184.9	198.1	220.1	242.2	264.2	286.2
BMV42-10-1503	1	10	H (ft)	111.5	108.3	105.0	103.3	98.4	95.1	88.6	82.0	72.2
BMV42-20-2003	2	20		226.4	219.8	213.3	206.7	200.1	193.6	180.4	164.0	144.4
BMV42-30-2503	3	25		334.6	328.1	318.2	311.7	301.8	288.7	269.0	249.3	223.1
BMV42-42-3003	4	30		410.1	397.0	387.1	377.3	367.5	344.5	321.5	292.0	255.9
BMV42-40-4003	4	40		446.2	436.4	423.2	413.4	403.5	383.9	367.5	334.6	292.0
BMV42-50-4003	5	40		561.0	544.6	528.2	518.4	505.2	475.7	452.8	413.4	367.5
BMV42-60-5003	6	50		672.6	656.2	633.2	623.4	610.2	577.4	544.6	498.7	439.6

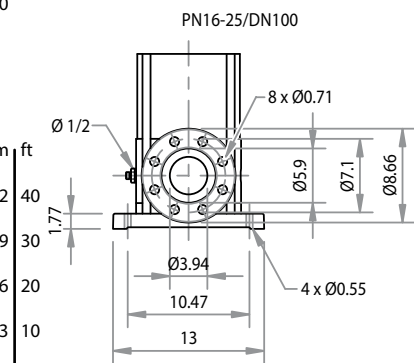
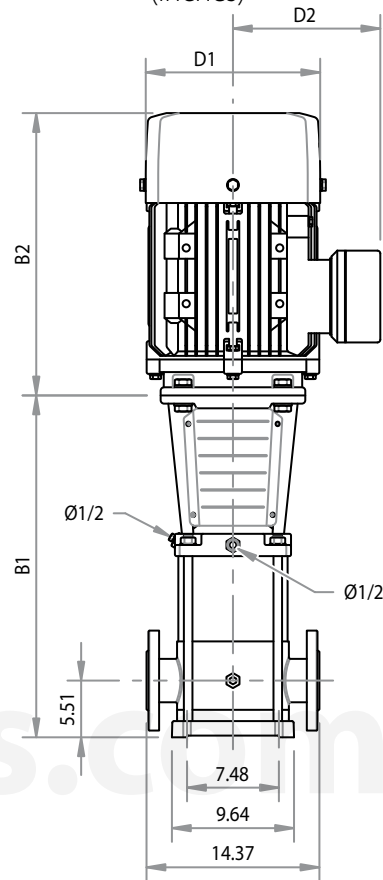
Size and weight

Size (inches)						Weight (lb)
B1	B2	B1+B2	D1	D2		
22.1	16.9	39.0	10.2	8.2	233.7	
29.4	19.3	48.7	13.0	10.0	414.5	
32.6	21.7	54.3	13.0	10.0	469.6	
35.7	23.2	59.0	14.2	11.2	557.8	
35.7	26.0	61.7	15.7	12.2	681.2	
38.9	26.0	64.9	15.7	12.2	690.0	
42.0	26.0	68.0	15.7	12.2	749.6	

Curve BMW65



Installation Diagram (inches)



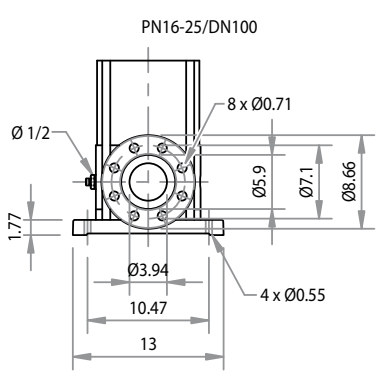
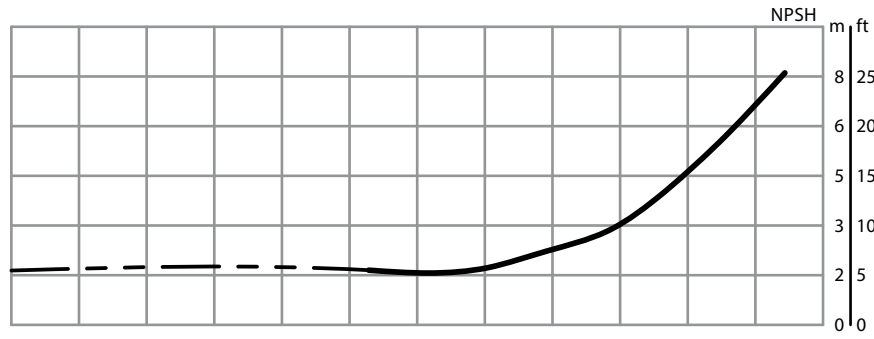
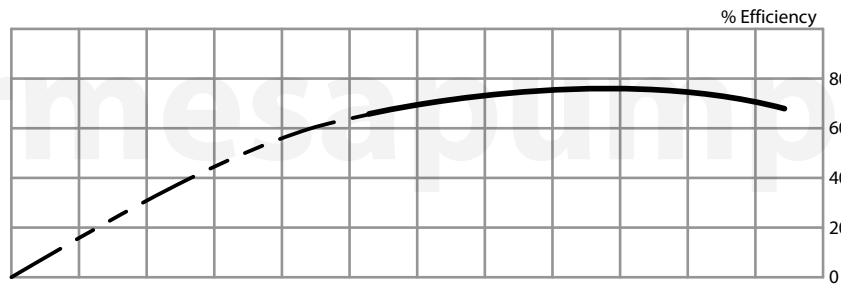
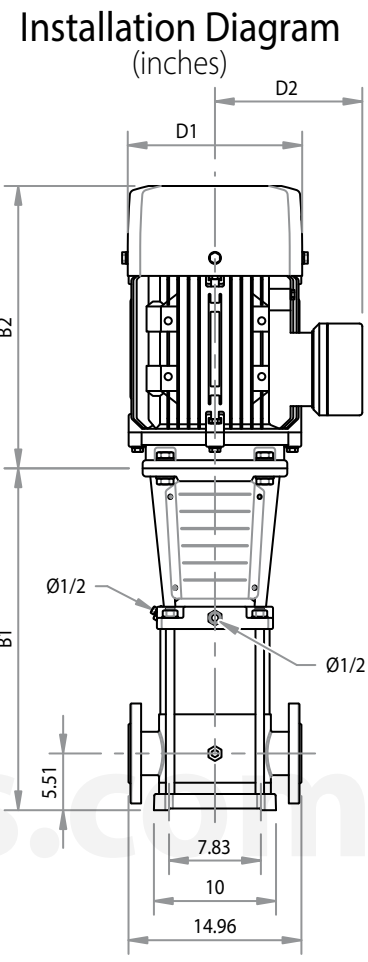
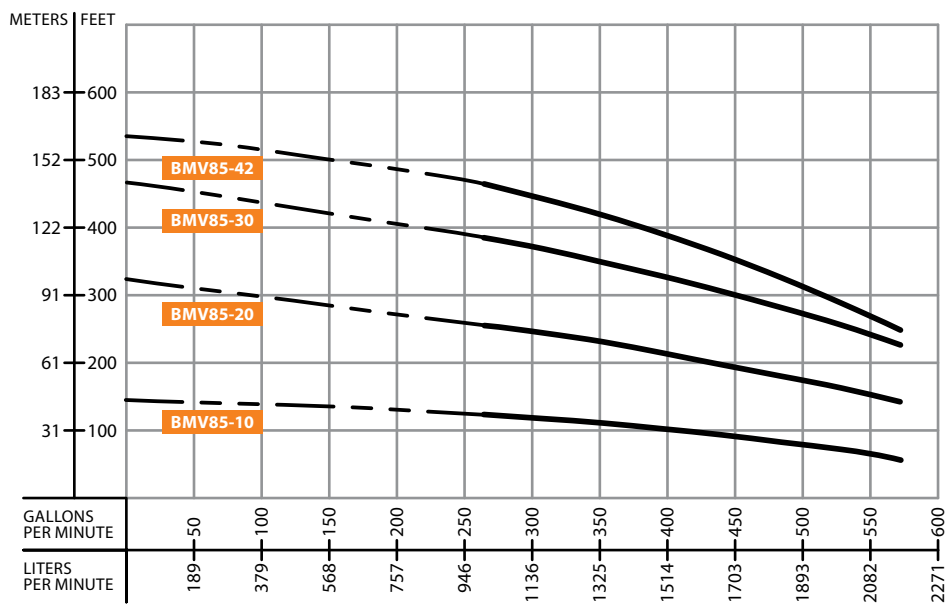
Performance table

MODEL	STAGES	HP	Q (GPM)	H (ft)							
				176.1	220.1	264.2	286.2	308.2	352.2	396.3	440.3
BMV65-11-1003	1	10		85.3	82.0	75.5	72.2	68.9	59.1	45.9	32.8
BMV65-10-1503	1	15		121.4	114.8	108.3	105.0	101.7	91.9	78.7	68.9
BMV65-20-3003	2	30		242.8	236.2	219.8	210.0	203.4	187.0	167.3	137.8
BMV65-30-4003	3	40		367.5	354.3	328.1	315.0	305.1	282.2	252.6	213.3
BMV65-42-5003	4	50		426.5	406.8	377.3	360.9	337.9	308.4	272.3	216.5
BMV65-52-6003	5	60		564.3	531.5	495.4	472.4	449.5	413.4	367.5	298.6

Size and weight

B1	B2	Size (inches)				Weight (lb)
		B1+B2	D1	D2		
22.1	16.9	39.0	10.2	8.2	240.3	
26.4	19.3	45.7	13.0	10.0	390.2	
29.7	23.2	52.9	14.2	11.2	546.7	
32.9	26.0	58.9	15.7	12.2	690.0	
36.2	26.0	62.2	15.7	12.2	740.8	
39.4	27.6	67.0	18.1	13.4	886.3	

Curve BMV85



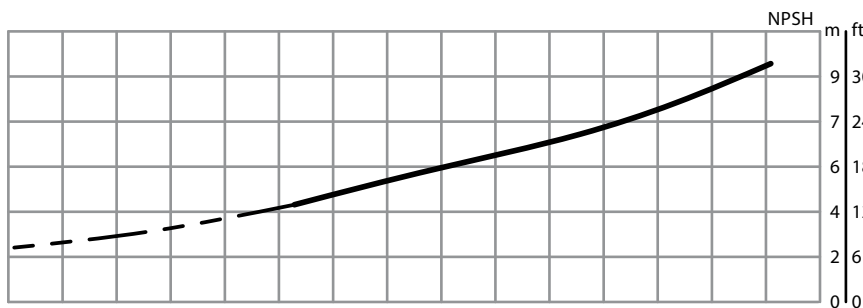
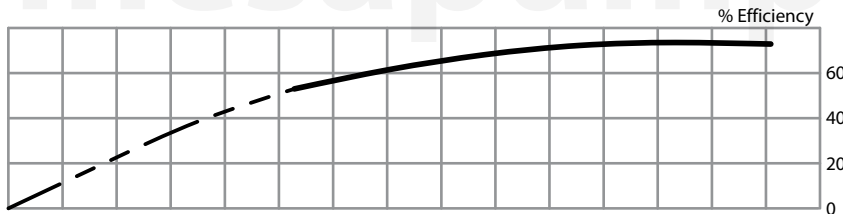
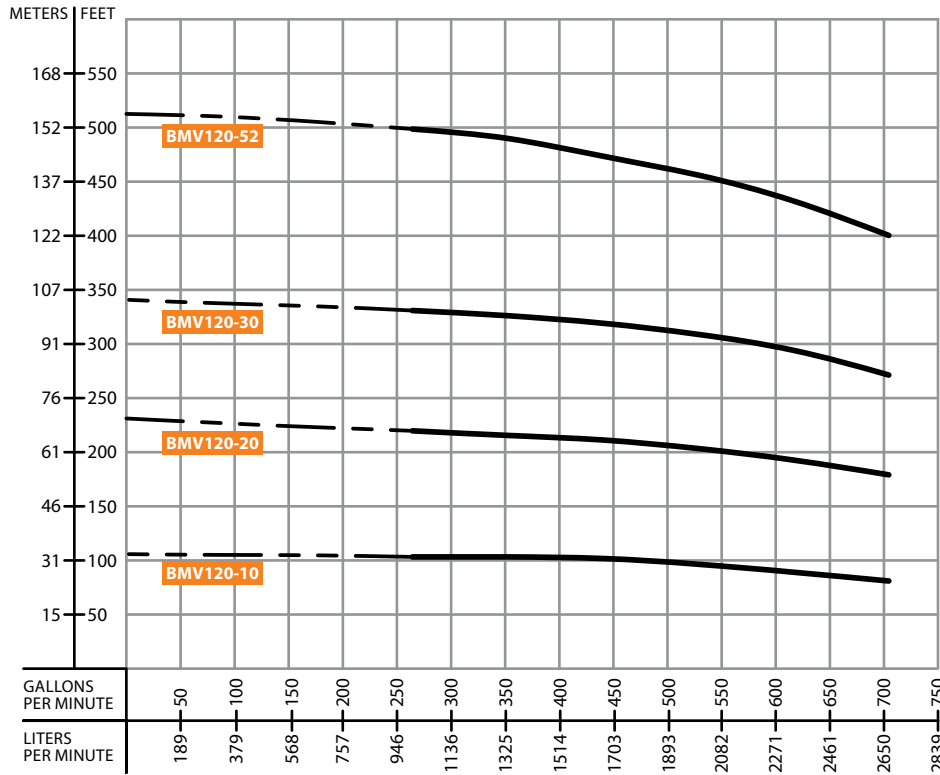
Performance table

MODEL	STAGES	HP	Q (GPM)	264.2	308.2	352.2	374.2	396.3	440.3	484.3	528.3	572.4
BMV85-10-2003	1	20	H (ft)	118.1	114.8	108.3	101.7	98.4	95.1	85.3	75.5	59.1
BMV85-20-4003	2	40		249.3	239.5	226.4	216.5	210.0	196.9	183.7	170.6	144.4
BMV85-30-6003	3	60		380.6	364.2	344.5	334.6	318.2	305.1	288.7	259.2	226.4
BMV85-42-6003	4	60		462.6	442.9	419.9	406.8	387.1	357.6	334.6	292.0	236.2

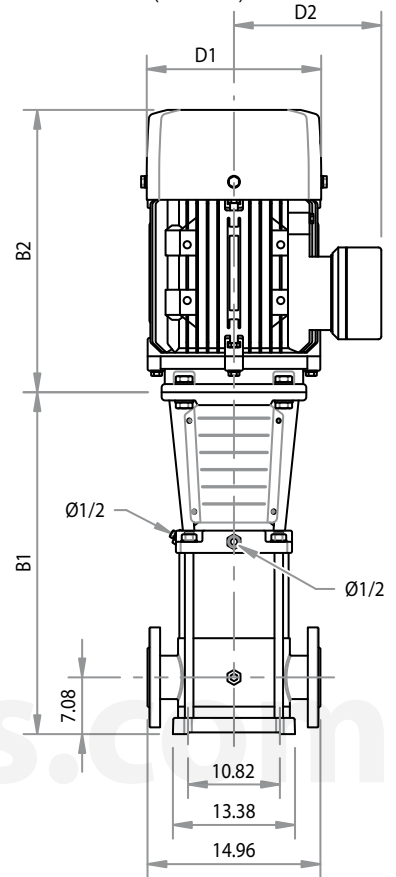
Size and weight

Size (inches)						Weight (lb)
B1	B2	B1+B2	D1	D2		
22.5	19.3	41.8	13.0	10.0	414.5	
30.4	26.0	56.4	15.7	12.2	670.2	
34.1	27.6	61.6	18.1	13.4	864.2	
37.7	27.6	65.2	18.1	13.4	873.0	

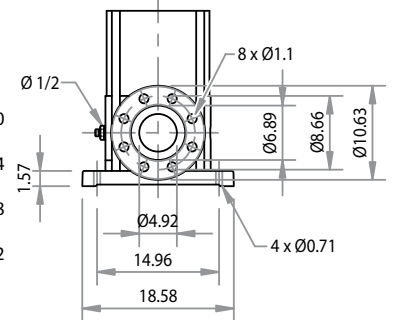
Curve BMV120



Installation Diagram (inches)



PN25-40/DN125



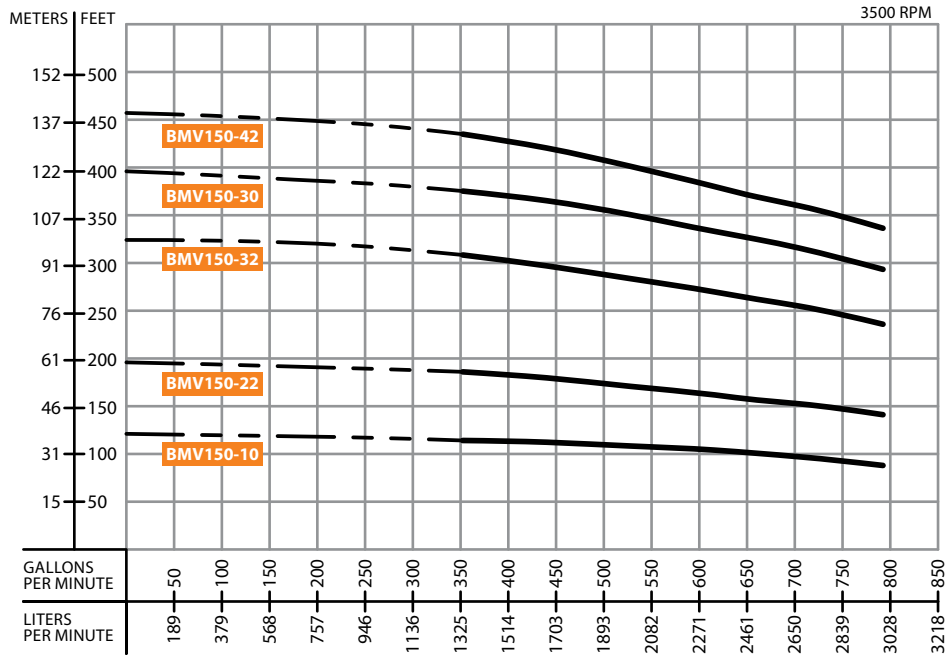
Performance table

MODEL	STAGES	HP	Q (GPM)	264.2	308.2	352.2	396.3	440.3	484.3	528.3	572.4	616.4	660.4	704.5
BMV120-10-2503	1	25	H (ft)	101.0	100.7	100.7	100.1	99.4	96.8	94.5	90.6	86.6	83.3	80.1
BMV120-20-5003	2	50		217.5	216.5	215.6	213.3	211.3	206.7	203.4	199.1	195.5	187.0	179.1
BMV120-30-7503	3	75		329.1	328.1	326.1	322.5	319.2	313.3	308.4	301.8	295.3	283.1	271.3
BMV120-52-10003	5	100		498.7	495.4	491.1	482.3	472.4	464.2	456.0	444.6	433.1	416.7	400.3

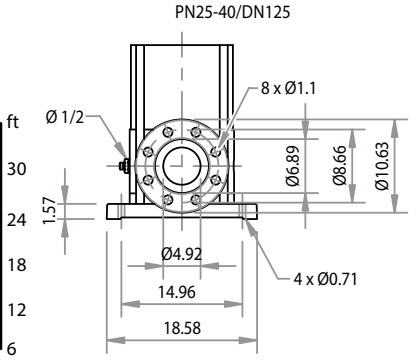
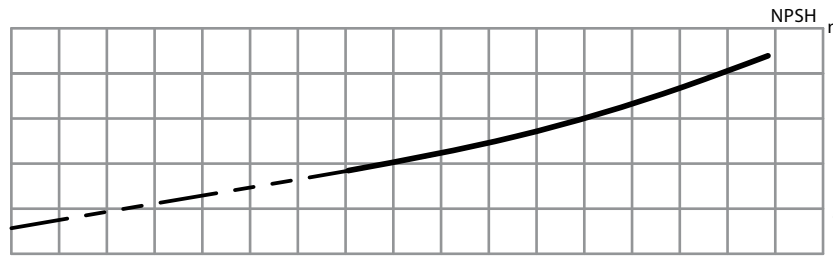
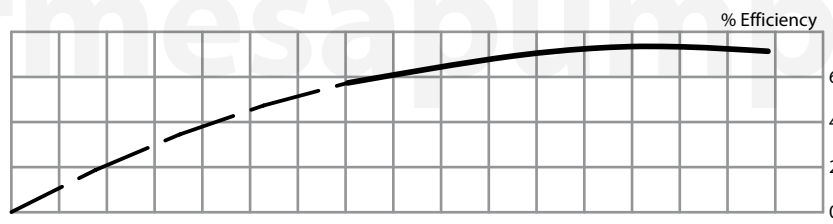
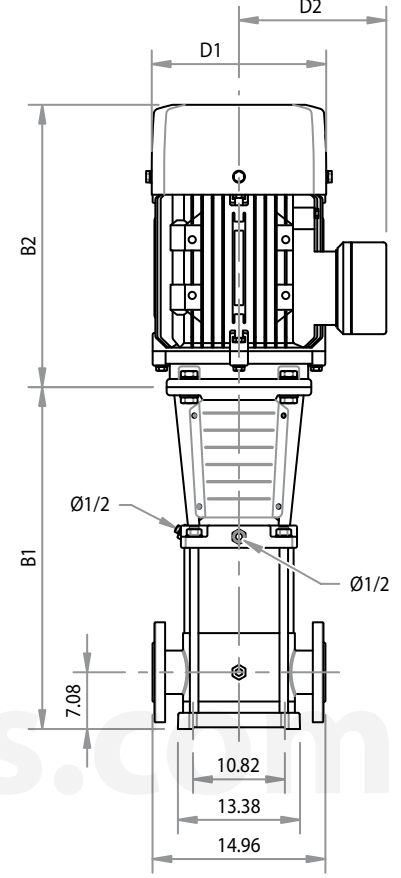
Size and weight

Size (inches)					Weight (lb)
B1	B2	B1+B2	D1	D2	
33.1	21.7	54.7	13.0	10.0	551.2
39.4	26.0	65.4	15.7	12.2	837.8
46.9	30.3	77.2	20.1	14.6	1201.5
59.4	33.3	92.7	22.8	16.1	1521.2

Curve BMV150



Installation Diagram (inches)

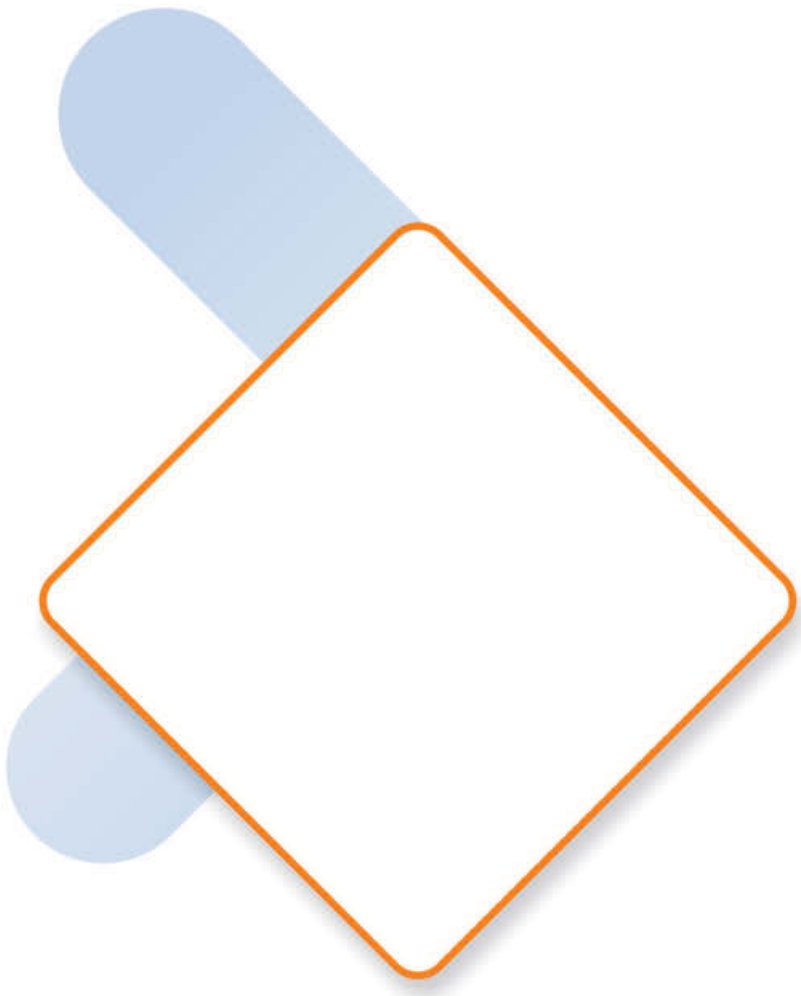


Performance table

MODEL	STAGES	HP	Q (GPM)	352.2	396.3	440.3	484.3	528.3	572.4	616.4	660.4	704.5	748.5	792.5
BMV150-10-3003	1	30	H (ft)	114.8	113.2	111.5	110.2	108.3	106.0	104.0	100.7	97.1	91.9	88.6
BMV150-22-4003	2	40		187.0	182.1	173.9	170.6	168.3	164.0	160.8	157.5	154.2	147.6	141.1
BMV150-32-7503	3	75		308.4	301.8	296.9	290.0	283.5	274.9	265.7	262.5	255.9	247.0	237.9
BMV150-30-10003	3	100		375.3	370.7	365.2	357.6	349.4	341.2	333.0	324.8	315.0	305.1	293.3
BMV150-42-10003	4	100		436.4	427.5	418.6	408.8	399.3	388.1	377.3	369.1	360.9	348.8	336.3

Size and weight

Size (inches)						Weight (lb)
B1	B2	B1+B2	D1	D2		
33.1	23.2	56.3	14.2	11.2	617.3	
39.4	26.0	65.4	15.7	12.2	793.7	
46.9	30.3	77.2	20.1	14.6	1201.5	
46.9	33.3	80.1	22.8	16.1	1466.1	
53.1	33.3	86.4	22.8	16.1	1499.1	



www.barmesapumps.com

© Barmesa Pumps LLC. All rights reserved.