

SUBMERSIBLE SOLIDS HANDLING PUMP

Series: 2BSE411 & 2BSE511
0.4 & 0.5 HP / 1750 RPM
Discharge: 2"
Spherical solids handling: 2"



DISCHARGE

2" NPT, female, vertical.

LIQUID TEMPERATURE

104°F (40 °C) continuous.

VOLUTE

Cast iron ASTM A-48 class 30.

MOTOR HOUSING

Cast iron ASTM A-48 class 30.

SEAL PLATE

Cast iron ASTM A-48 class 30.

IMPELLER

Design: open, double vane.

Material: cast iron ASTM A-48 class 30, dynamically balanced, ISO G6.3.

SHAFT

416 series stainless steel.

O-RINGS

Square shaped Buna-N.

PAINT

Air dry enamel, water based.

SEAL

Design: single, mechanical, oil filled chamber.

Material: silicon carbide, Buna-N elastomer and stainless steel hardware.

HARDWARE

300 series stainless steel.

CORD ENTRY

30 ft of neoprene cord SJTOW 14/3, sealed against moisture.

BEARINGS

Upper: ball, single row, oil lubricated, for radial load.

Lower: ball, single row, oil lubricated, for radial and thrust load.

MOTOR

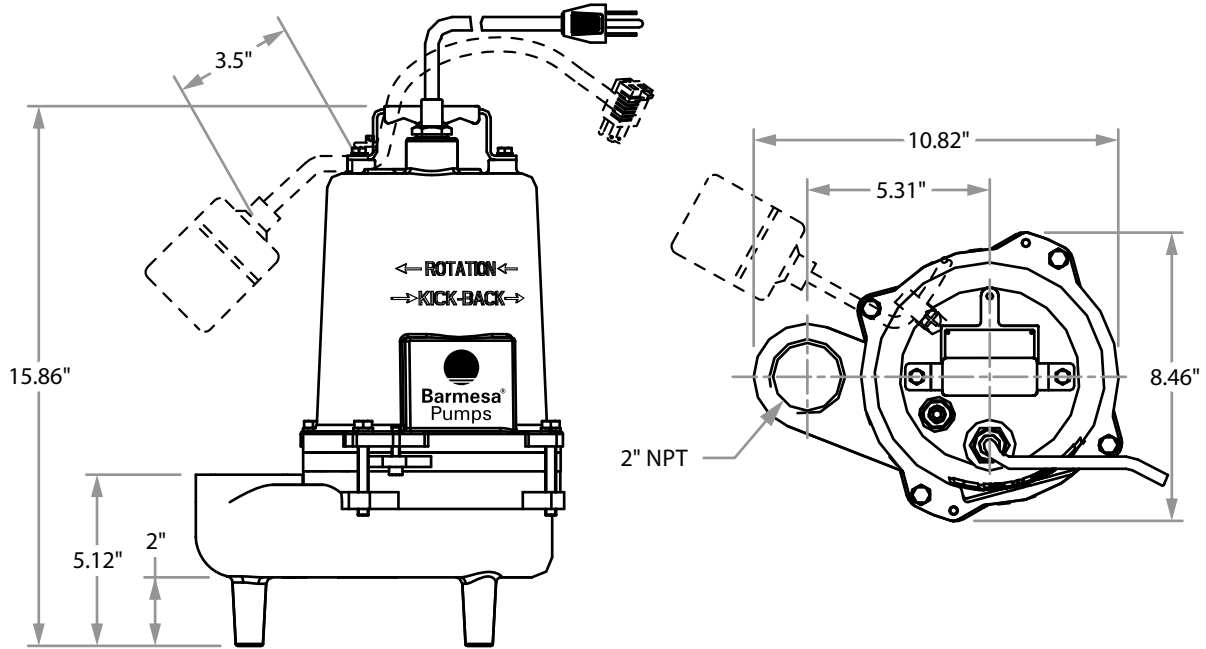
NEMA L, single phase, permanent split capacitor, 115 & 230 volts, 60 Hz, 1750 RPM, oil filled, with overload protection in motor.

PUMP OPERATION

Manual or automatic float switch.

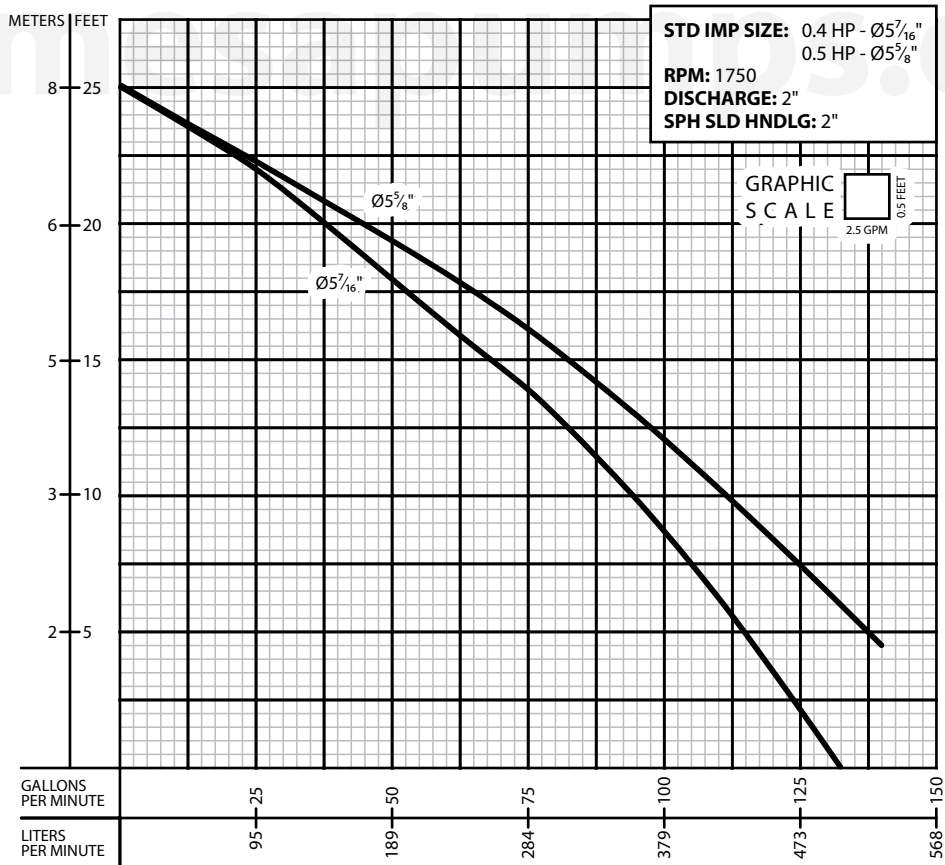
OPTIONAL EQUIPMENT

Additional cord and slide rail coupling (SRC-2).



MODEL	PART No.	HP	VOLTS	PHASE	RPM (Nominal)	MAX AMPS	LOCKED ROTOR AMPS	CORD SIZE	CORD TYPE	WEIGHT (pounds)
2BSE411	62180401	0.4	115	1	1750	12	22.5	14/3	SJTOW	53
2BSE411A	62180402	0.4	115	1	1750	12	22.5	14/3	SJTOW	55
2BSE421	62180403	0.4	230	1	1750	6.1	9.3	14/3	SJTOW	53
2BSE511A	62180404	0.5	115	1	1750	12	22.5	14/3	SJTOW	55

A = Automatic Float Switch.



IMPORTANT!

1. Never use this pump to handle explosive liquids.
2. This pump is not approved to be used in swimming pools, recreational installations or any application where human contact may be common.
3. Pump may be operated "dry" for extended periods without damage to motor &/or seals.
4. Testing is performed with water specific gravity of 1.0 @ 68 °F (20 °C); other fluids may vary performance.