

# END-SUCTION CENTRIFUGAL PUMPS

Series: BES3040CU9  
3" x 4"  
Universal Drive



## SUCTION

4" 125 lb. ANSI flange.

## DISCHARGE

3" 125 lb. ANSI flange. It can be placed in 4 different locations depending on piping requirements.

## LIQUID TEMPERATURE

225 °F (107 °C) continuous.

## BODY

Cast iron ASTM A-48, class 30, back pull-out design, with removing suction and discharge piping.

## PEDESTAL

Cast iron ASTM A-48, class 30.

## IMPELLER

**Design:** enclosed type, dynamically balanced, ISO G6.3, maximum spheres 0.75".

**Material:** bronze C95200.

## SHAFT

Stainless steel.

## SHAFT SLEEVE

Bronze C95200.

## HARDWARE

Steel.

## CASING WEARING RING

Bronze C95200.

## PAINT

Air dry enamel, water based.

## SEAL

**Design:** mechanical.

**Material:** carbon / Ni-Resist / Buna-N.

## BEARING-DRIVE END

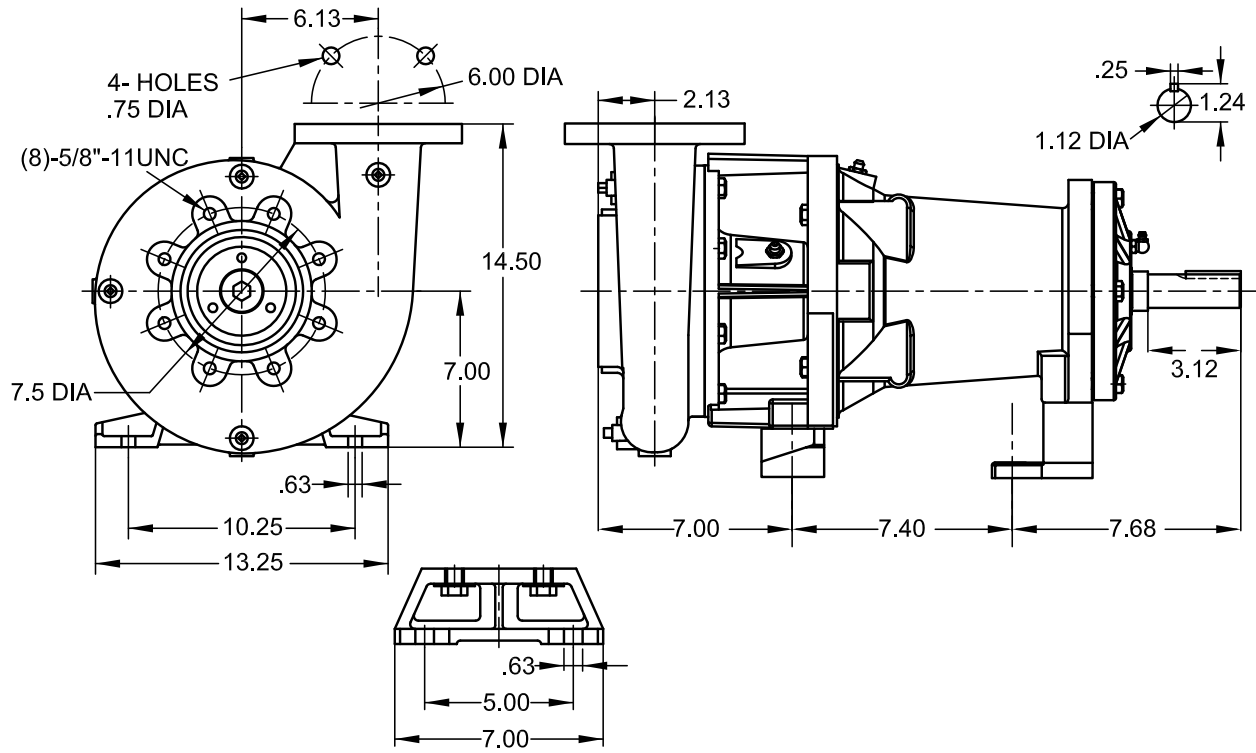
Single row, ball, grease lubricated.

## BEARING-PUMP END

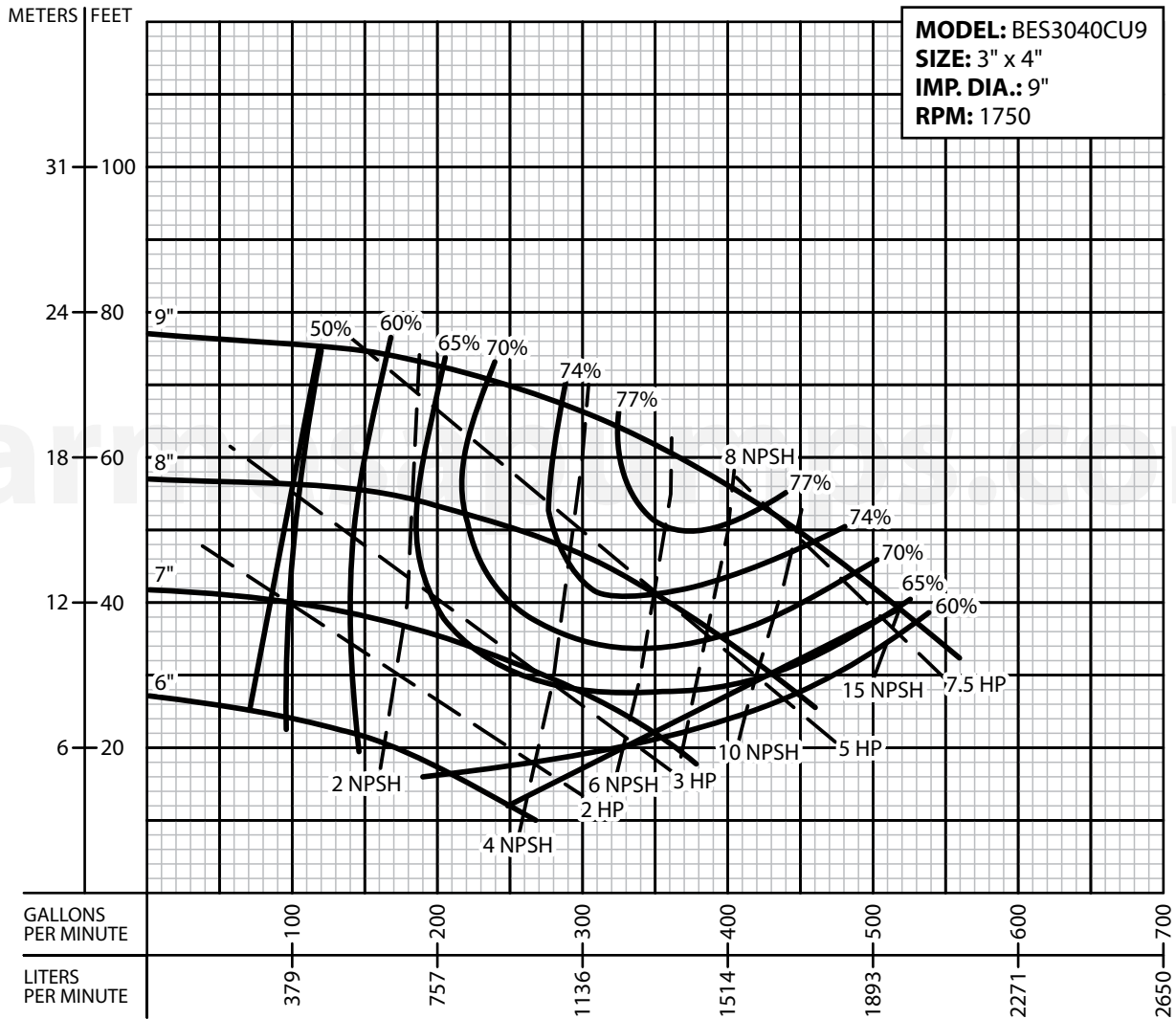
Single row, ball, grease lubricated.

## WEIGHT

254 lb. (115.2 kg)

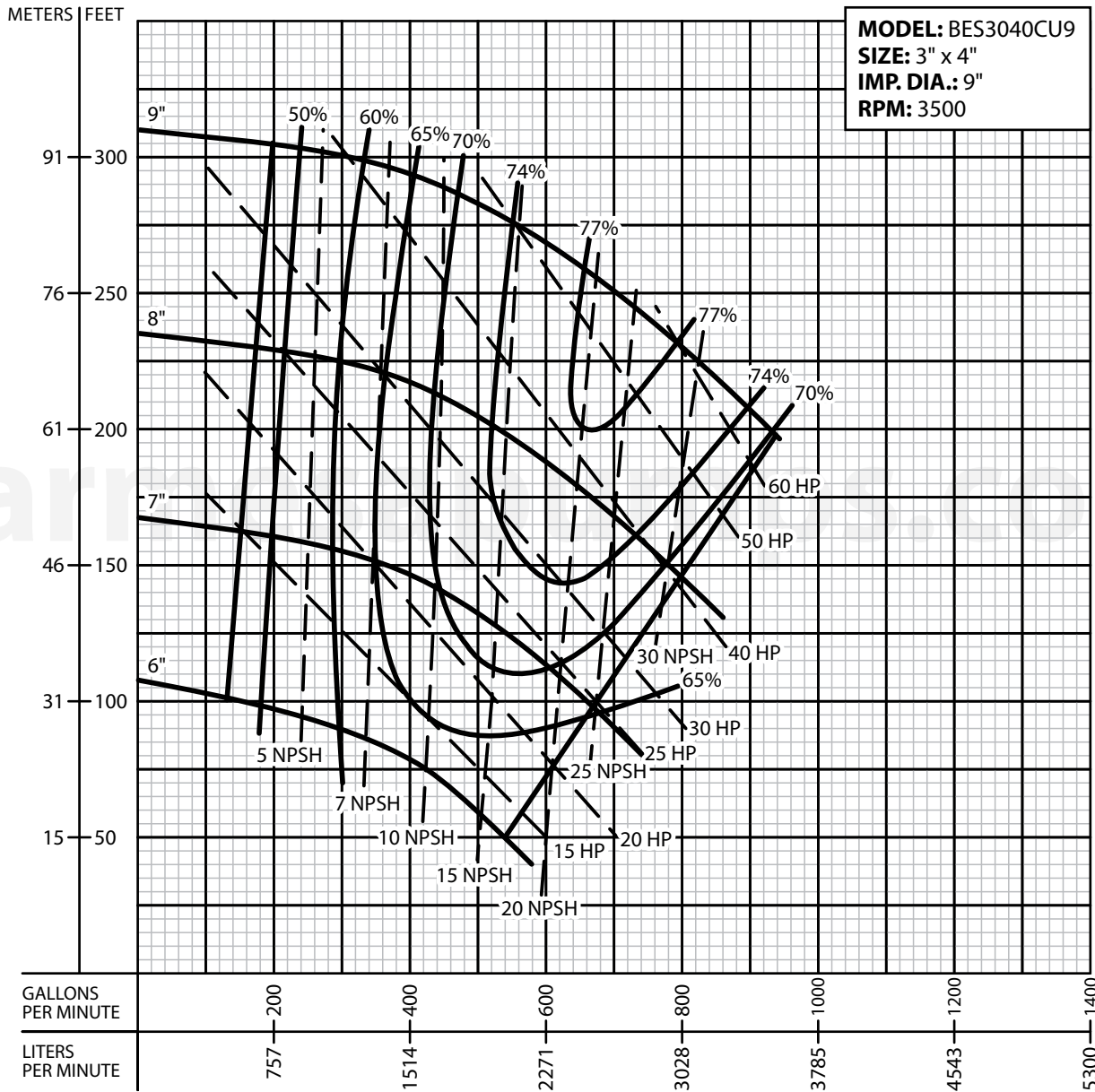


barmesapumps.com



GRAPHIC SCALE  10 GPM 2 FEET

Testing is performed with water specific gravity of 1.0 @ 68 °F (20 °C); other fluids may vary performance.



GRAPHIC SCALE  5 FEET  
20 GPM

Testing is performed with water specific gravity of 1.0 @ 68°F (20°C); other fluids may vary performance.