

END-SUCTION CENTRIFUGAL PUMPS

Series: BES4030HCU
4" x 3"
Universal Drive



SUCTION

4"

DISCHARGE

3" 125 lb. ANSI. It can be placed in 8 different locations depending on piping requirements.

LIQUID TEMPERATURE

180 °F (82 °C) continuous.

BODY

Cast iron ASTM A-48, class 30, with air vent, vacuum pressure and drain plugs.

PEDESTAL

Cast iron ASTM A-48, class 30.

IMPELLER

Design: enclosed type, dynamically balanced, ISO G6.3.

Material: bronze 81-3-7-9.

SHAFT

Steel.

SHAFT SLEEVE

Bronze.

HARDWARE

Steel.

WEARRING

Bronze.

PAINT

Air dry enamel, water based.

SEAL

Design: single, mechanical, water lubrication.

Material: carbon / Ni-Resist / Buna-N.

BEARING-DRIVE END

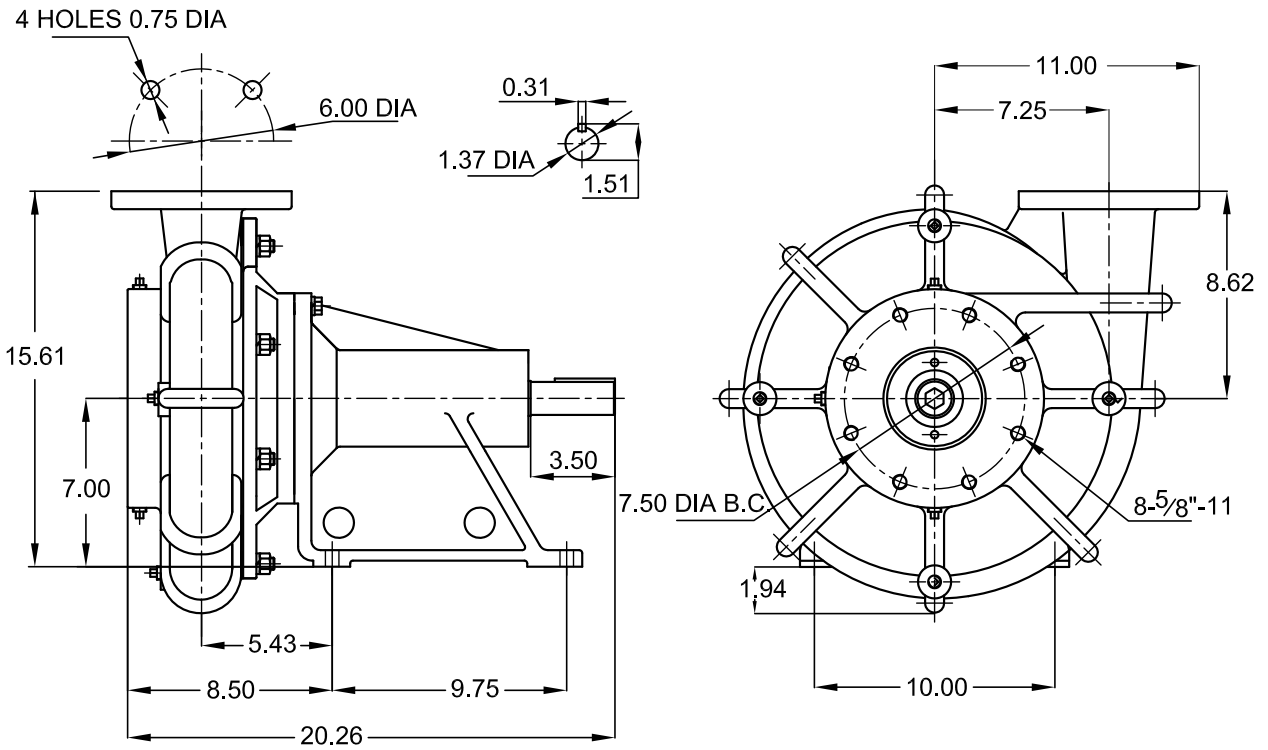
Double row, ball, pre-greased at factory load-radial & thrust.

BEARING-PUMP END

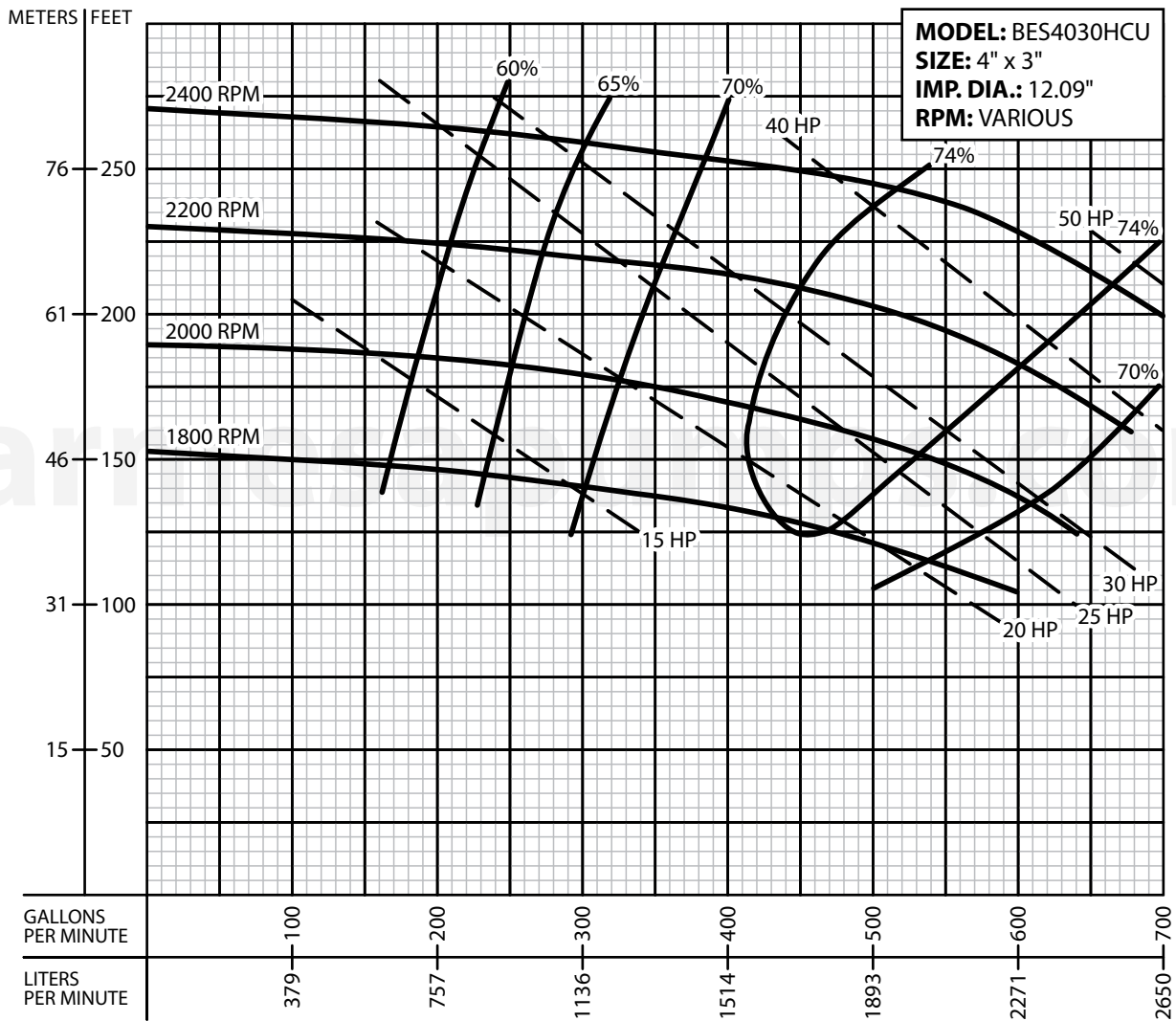
Single row, ball, pre-greased at factory load-radial & thrust.

WEIGHT

254 lb. (115.2 kg)

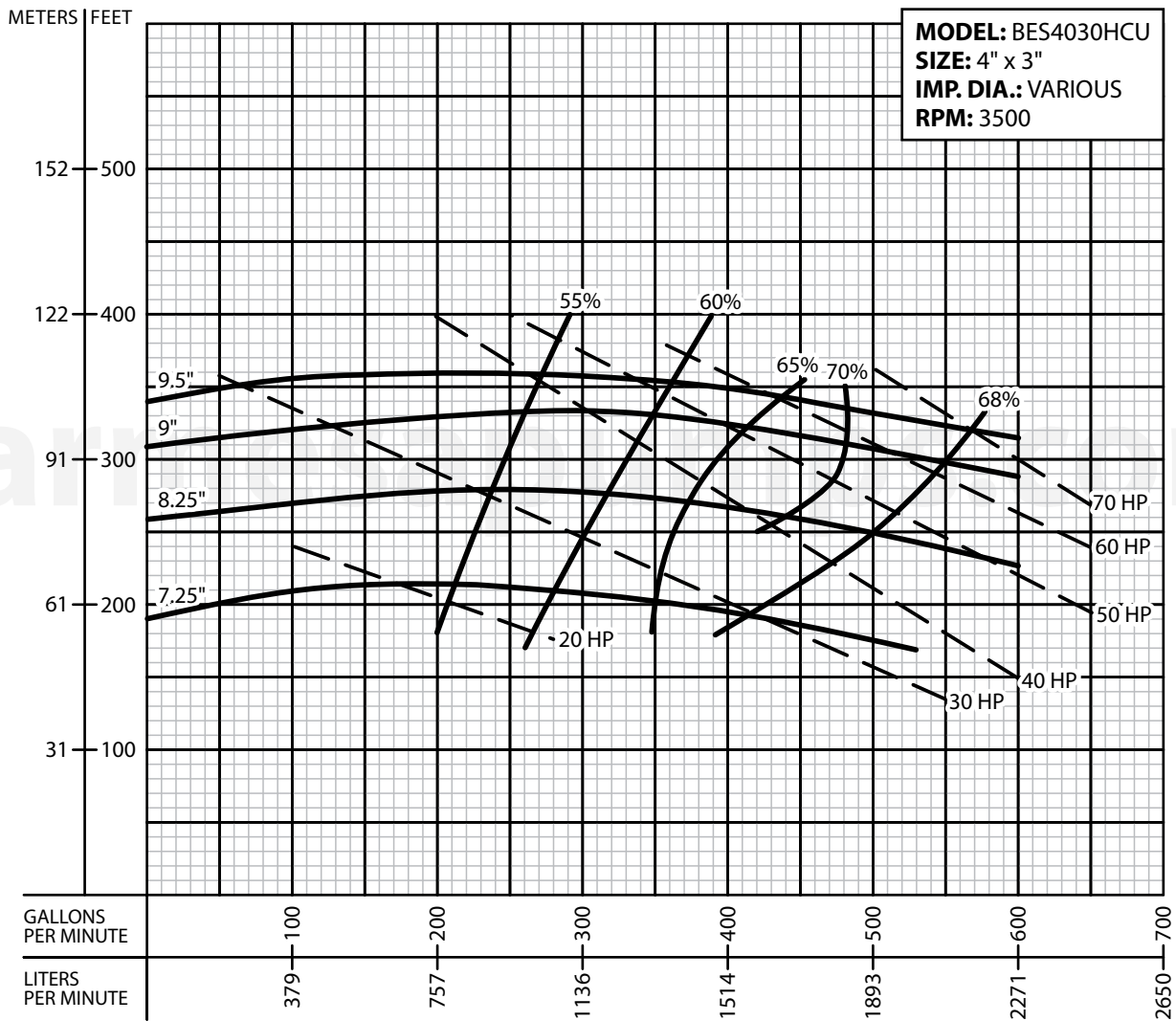



barmesapumps.com



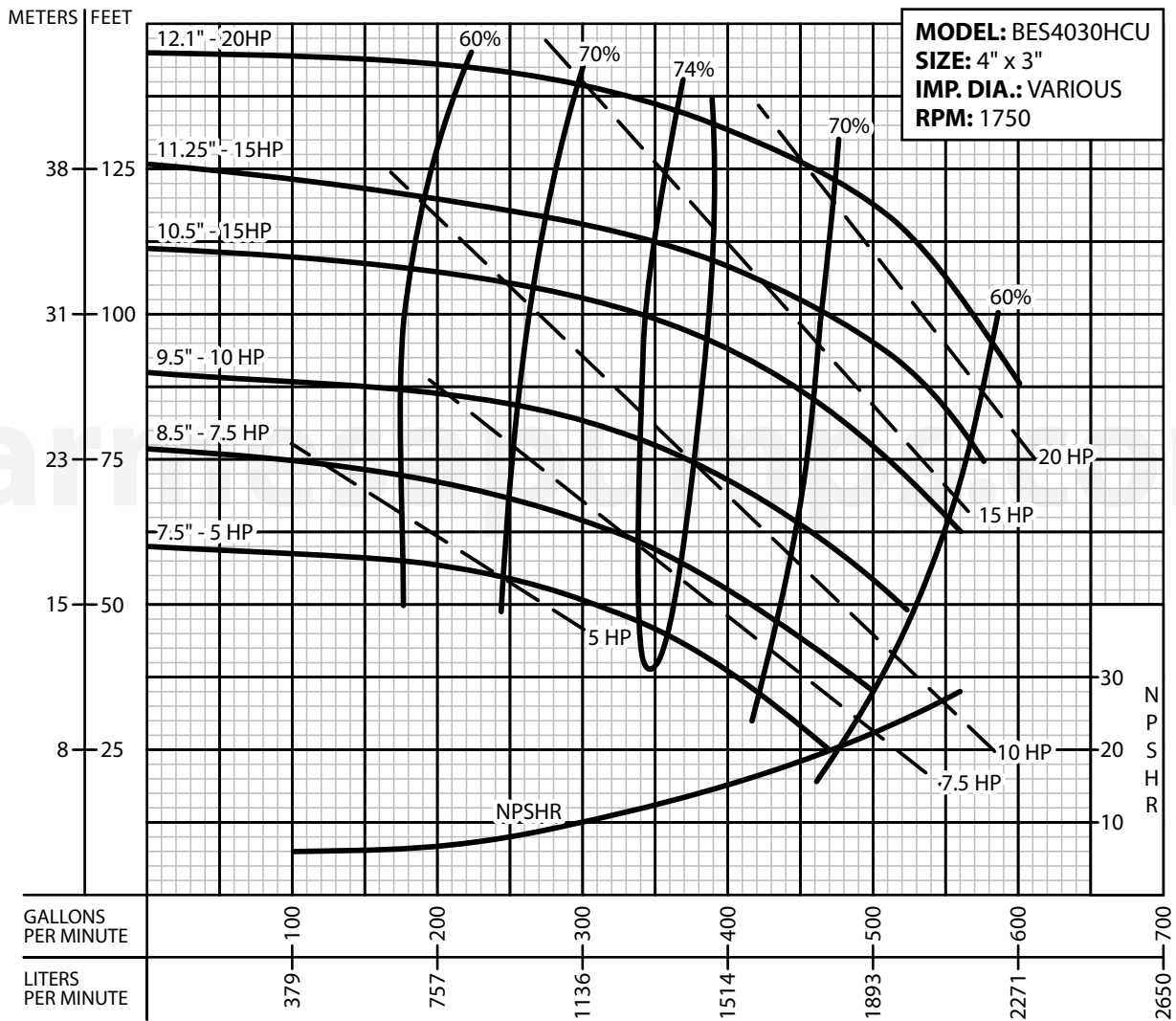
GRAPHIC SCALE  5 FEET
10 GPM

Testing is performed with water specific gravity of 1.0 @ 68 °F (20 °C); other fluids may vary performance.



GRAPHIC SCALE  10 FEET
10 GPM

Testing is performed with water specific gravity of 1.0 @ 68 °F (20 °C); other fluids may vary performance.



GRAPHIC SCALE  2.5 FEET
10 GPM

Testing is performed with water specific gravity of 1.0 @ 68°F (20°C); other fluids may vary performance.