

END-SUCTION CENTRIFUGAL PUMPS

Series: BES4050CU9
4" x 5"
Universal Drive



SUCTION

5" 125 lb. ANSI flange.

DISCHARGE

4" 125 lb. ANSI flange. It can be placed in 4 different locations depending on piping requirements.

LIQUID TEMPERATURE

225 °F (107 °C) continuous.

BODY

Cast iron ASTM A-48, class 30, back pull-out design, with removing suction and discharge piping.

PEDESTAL

Cast iron ASTM A-48, class 30.

IMPELLER

Design: enclosed type, dynamically balanced, ISO G6.3, maximum spheres 0.69".

Material: bronze C95200.

SHAFT

Stainless steel.

SHAFT SLEEVE

Bronze C95200.

HARDWARE

Steel.

CASING WEARING RING

Bronze C95200.

PAINT

Air dry enamel, water based.

SEAL

Design: mechanical.

Material: carbon / Ni-Resist / Buna-N.

BEARING-DRIVE END

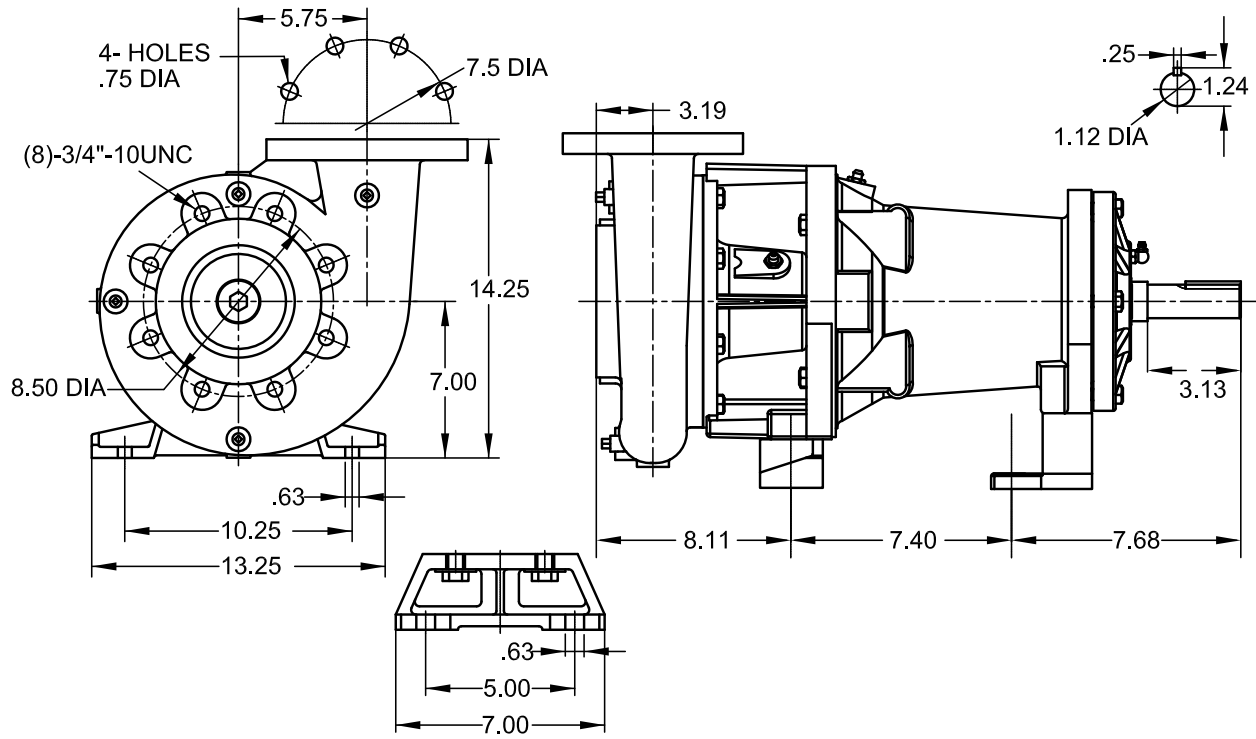
Single row, ball, grease lubricated.

BEARING-PUMP END

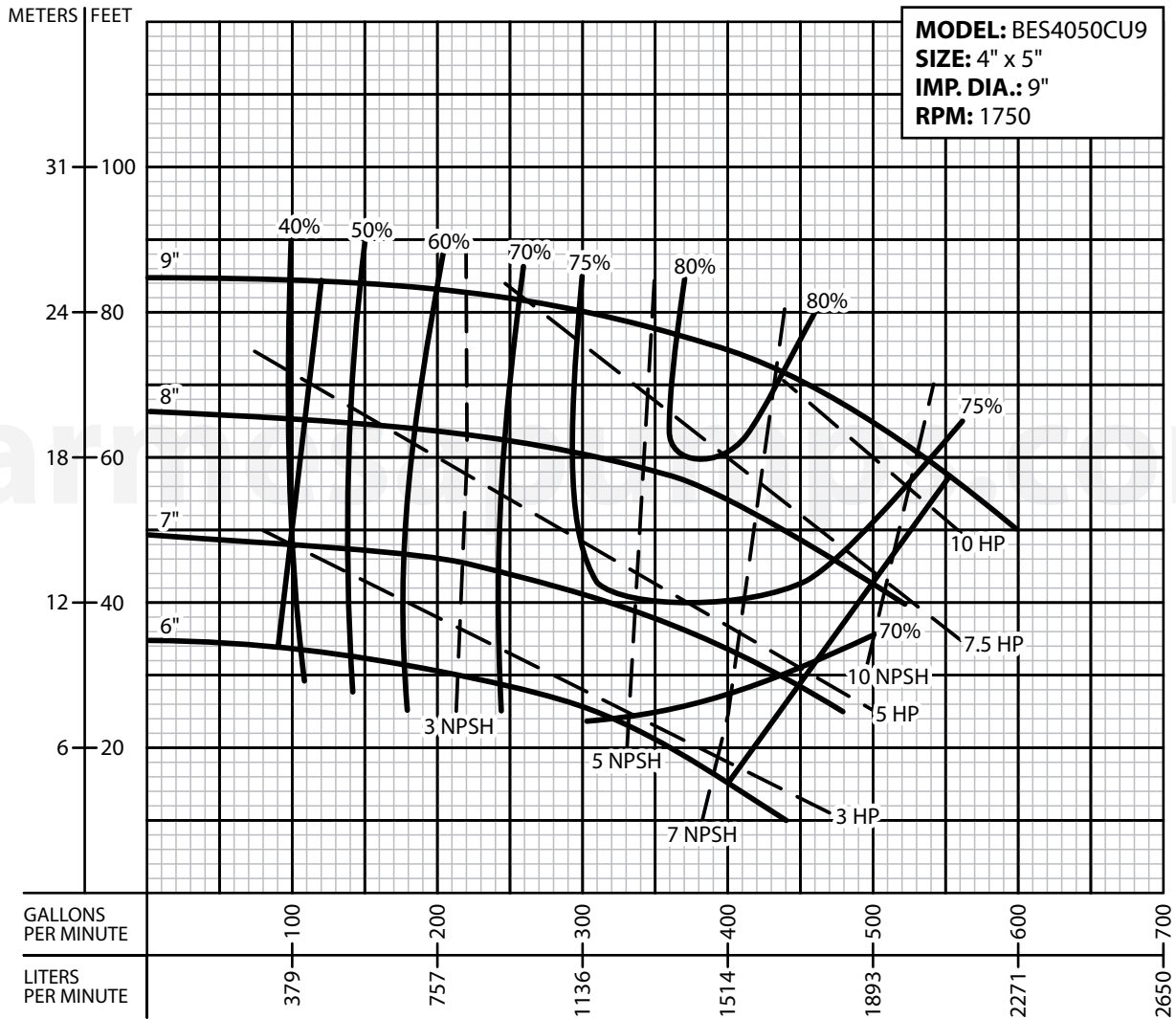
Single row, ball, grease lubricated.

WEIGHT

270 lb. (122.4 kg)

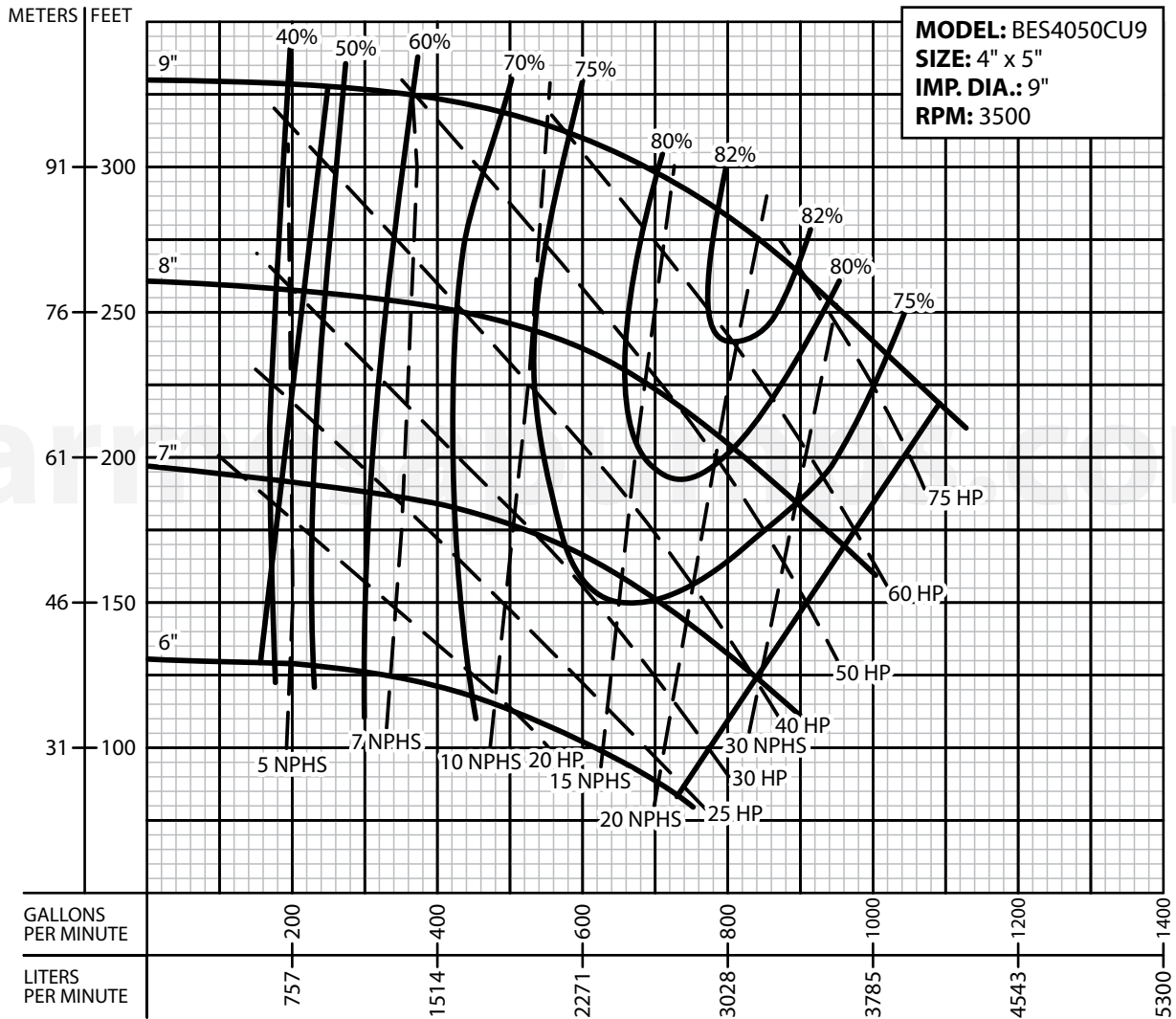


barmesapumps.com



GRAPHIC SCALE  2 FEET
10 GPM

Testing is performed with water specific gravity of 1.0 @ 68°F (20°C); other fluids may vary performance.



GRAPHIC SCALE  5 FEET
20 GPM

Testing is performed with water specific gravity of 1.0 @ 68 °F (20 °C); other fluids may vary performance.