

SELF-PRIMING CLOSE COUPLED PUMPS

Series: BSP15CCE
7.5 HP / 3500 RPM
Suction & Discharge: 3"
Spherical solids handling: 3/4"



Approved for Marine use and
Commercial / Industrial applications.

SUCTION/DISCHARGE

3" NPT, female.

LIQUID TEMPERATURE

Continuous: 160 °F (71 °C).

INTERMEDIATE

Cast iron ASTM A-48, class 30.

VOLUTE

Cast iron ASTM A-48, class 30.

BODY

Cast iron ASTM A-48, class 30.

BASE

Steel.

IMPELLER

Design: open, trash type, dynamically balanced.

Material: cast iron ASTM A-48, class 30.

SHAFT

1035 cold rolled steel.

SHAFT SLEEVE

Bronze.

HARDWARE

Steel & stainless steel.

SQUARE RING

Buna-N.

PAINT

Air dry enamel, water based.

SEAL

Design: mechanical, self lubrication.

Material: Ni-Resist stationary part, carbon ring seal and exclusion in the rotating part. Buna-N elastomer and stainless steel spring.

CHECKVALVE

Valve: flap-neoprene

Weight: steel.

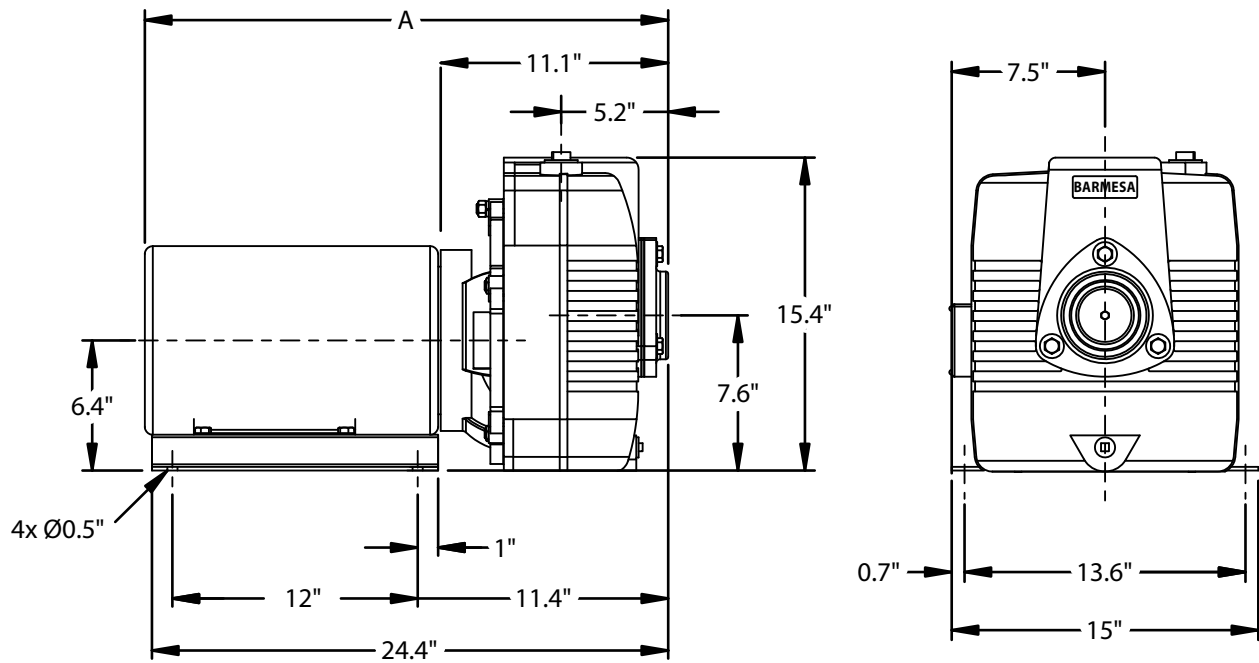
MOTOR

Open Drip Proof or **TEFC**, C-face, footed, squirrel cage induction, class B or F insulation.

Three phase: 230/460 volts, 60 Hz, 3500 RPM.

OPTIONAL

Bronze fitted volute and impeller.



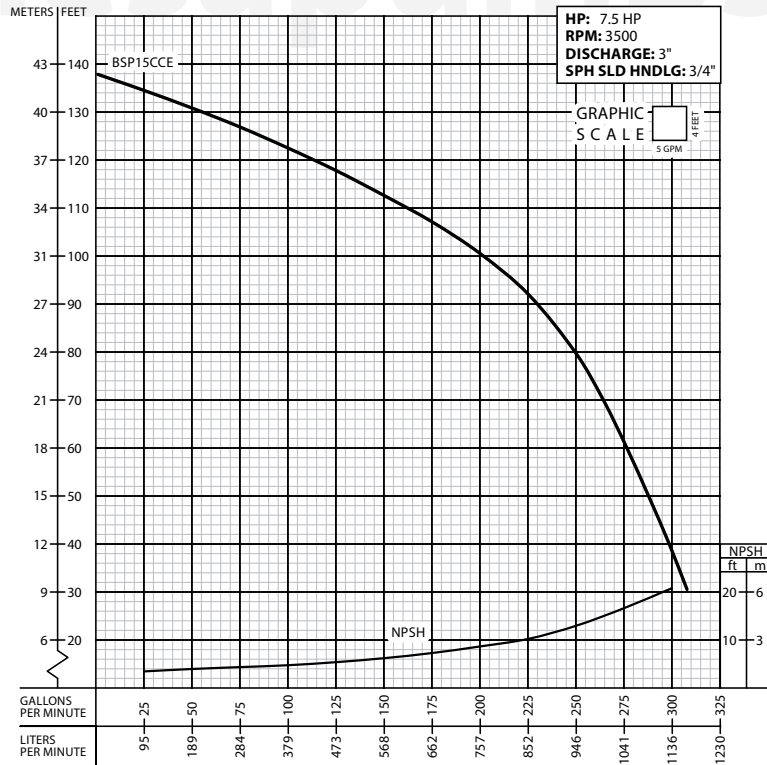
MODEL	PART No.	HP	PHASE	VOLTS	ENCLOSURE	MAX AMPS	A (inches)	WEIGHT (pounds)
BSP15CCE3	62030009	7.5	3	230/460	ODP	18.8-17.4/8.7	23.22	248
BSP15CCE3-BF	62030110	7.5	3	230/460	ODP	18.8-17.4/8.7	23.22	248
BSP15CCE3-T	62030029	7.5	3	230/460	TEFC	18.5-17.4/8.7	26.28	251
BSP15CCE3-TBF	62030130	7.5	3	230/460	TEFC	18.5-17.4/8.7	26.28	251

T = totally enclosed

BF = bronze fitted

TB = totally enclosed bronze fitted

* Overall length of unit and amps is subject to the motor manufacture.



IMPORTANT!

1. Never use this pump to handle explosive liquids.
2. This pump is not approved to be used in swimming pools, recreational installations or any application where human contact may be common.
3. Testing is performed with water specific gravity of 1.0 @ 68 °F (20 °C); other fluids may vary performance.