

2BEH-SS

0.5 & 1 HP @ 3500 RPM



IMPORTANT! - Read all instructions in this manual before operating or servicing a pump.

Before installation, read the following instructions carefully. Failure to follow instruction and safety information could cause serious bodily injury, death and/or property damage. Each Barmesa product is carefully inspected to insure proper performance. Closely following these instructions will eliminate potential operating problems, assuring years of trouble-free service.

⚠ DANGER "Danger" indicates an imminently hazardous situation which, if not avoided, WILL result in death or serious injury.

⚠ WARNING "Warning" indicates an imminently hazardous situation which, if not avoided, MAY result in death or serious injury.


⚠ CAUTION "Caution" indicates a potentially hazardous situation which, if not avoided, MAY result in minor or moderate injury.


IMPORTANT! - Barmesa Pumps is not responsible for losses, injury or death resulting from failure to observe these safety precautions, misuse, abuse or misapplication of pumps or equipment.

ALL RETURNED PRODUCTS MUST BE CLEANED, SANITIZED, OR DECONTAMINATED PRIOR TO SHIPMENT, TO INSURE EMPLOYEES WILL NOT BE EXPOSED TO HEALTH HAZARDS IN HANDLING SAID MATERIAL. ALL APPLICABLE LAWS AND REGULATIONS SHALL APPLY.

⚠ WARNING Installation, wiring, and junction connections must be in accordance with the National Electric Code and all applicable state and local codes. Requirements may vary depending on usage and location.

⚠ WARNING Installation and servicing is to be conducted by qualified personnel only.

 Keep clear of suction and discharge openings. Do not insert fingers in pump with power connected; the rotating cutter and/or impeller can cause serious injury.

 Always wear eye protection when working on pumps. Do not wear loose clothing that may become entangled in moving parts.

⚠ DANGER Pumps build up heat and pressure during operation. Allow time for pumps to cool before handling or servicing the pump or any accessory items associated with or near the pump.

⚠ DANGER This pump is not intended for use in swimming pools or water installations where there is human contact with pumped fluid.

⚠ DANGER Risk of electric shock. To reduce risk of electric shock, always disconnect pump from power source before handling any aspect of the pumping system. **Lock out power and tag.**

⚠ WARNING Do not use these pumps in water over 104° F. Do not exceed manufacturers recommended maximum performance, as this could cause the motor to overheat.

⚠ DANGER Do not lift, carry or hang pump by the electrical cables. Damage to the electrical cables can cause shock, burns or death. **Never** handle connected power cords with wet hands. Use appropriate lifting device.

⚠ WARNING Ground Fault Circuit Interrupter (GFCI) to be used with plug-in type power cord.

⚠ WARNING Sump and sewage pumps often handle materials which could cause illness or disease. Wear adequate protective clothing when working on a used pump or piping. Never enter a basin after it has been used.

⚠ DANGER Failure to permanently ground the pump, motor and controls before connecting to power can cause shock, burns or death.

⚠ DANGER These pumps are not to be installed in locations classified as hazardous in accordance with the National Electric Code, ANSI/NFPA 70.

⚠ WARNING The Uniform Plumbing Code (UPC) states that sewage systems shall have an audio and visual alarm that signals a malfunction of the systems, that are required to reduce the potential for property damage.

IMPORTANT! - Prior to installation, record Model Number, Serial, Amps, Voltage, Phase and HP from pump name plate for the future reference. Also record the Voltage and Current Readings at Startup:

1 Phase Models	
Amps:	Volts:
3 Phase Models	
Amps L1-2:	Volts L1-2:
Amps L2-3:	Volts L2-3:
Amps L3-1:	Volts L3-1:

Model Number: _____

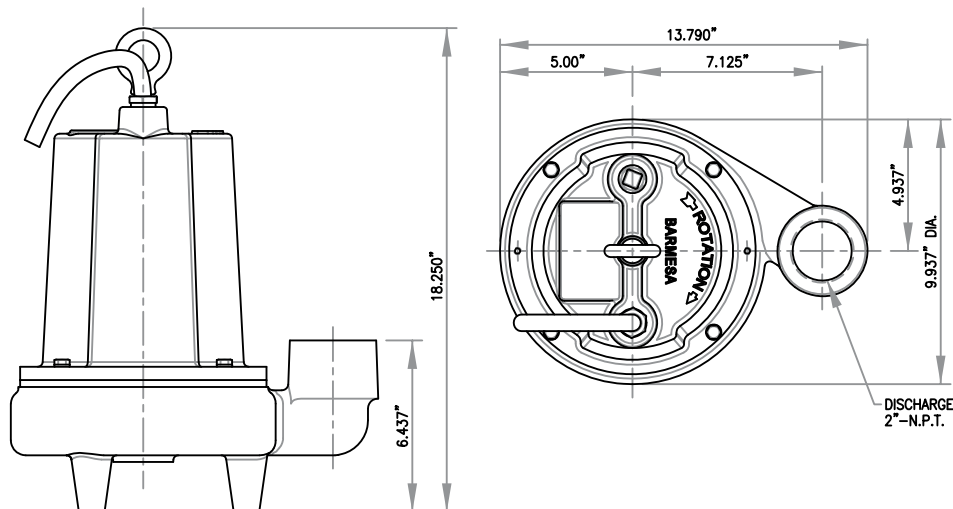
Serial: _____

PHASE: _____ HP: _____

- DISCHARGE:** 2" NPT, vertical.
- SPHERICAL SLD HNDLG:** 3/4"
- LIQUID TEMPERATURE:** 104° F (40° C) max.
- VOLUTE:** Cast iron ASTM A-48 class 30.
- MOTOR HOUSING:** Cast iron ASTM A-48 class 30.
- SEAL PLATE:** Cast iron ASTM A-48 class 30.
- IMPELLER:** 2 vane, open, with vanes on back side, dynamically balanced ISO G6.3. Bronze 85-5-5-5.
- SHAFT:** 416 series stainless steel.
- HARDWARE:** 300 series stainless steel.
- SQUARE RINGS:** Buna-N.
- PAINT:** Air dry enamel, water based.
- SEAL:** Inboard, single mechanical, oil filled chamber. Silicon carbide, Buna-N elastomer, with stainless steel hardware.
- CORD ENTRY:** 15 ft of neoprene cord SJO 14/3, sealed against moisture.
- UPPER BEARING:** Ball, single row, oil lubricated, for radial load.
- LOWER BEARING:** Ball, single row, oil lubricated, for radial and axial loads.
- MOTOR:** *Single phase:* NEMA L, permanent split capacitor, oil filled, with overload protection in motor.
Three phase: NEMA B, oil filled. Requires overload protection to be included in control panel.
- OPTIONAL EQUIPMENT:** Additional cord, tungsten carbide seal, slide rail coupling (SRC-2).

barnesapumps.com

MODEL	PART No.	HP	VOLTS	PHASE	RPM (Nominal)	MAX AMPS	LOCKED ROTOR AMPS	NEMA CODE	CORD SIZE	CORD TYPE	CORD O. D.	WEIGHT (pounds)
2BEH512SS	62170651	0.5	115	1	3500	11	23	F	14/3	SJTOW	0.39"	82
2BEH102SS	62170652	1	230	1	3500	8.2	13.8	B	14/3	SJTOW	0.39"	84
2BEH103SS	62170653	1	200/230	3	3500	5.4	21.2	K	12/4	SOW	0.6"	84
2BEH104SS	62170654	1	460	3	3500	2.8	20.7	K	12/4	SOW	0.6"	84



► Receiving inspection

Upon receiving the pump, it should be inspected for damage or shortages. If damage has occurred, file a claim immediately with the company that delivered the pump. If the manual is removed from the packaging, do not lose or misplace.

► Storage

Any product that is stored for a period longer than six (6) months from the date of purchase should be bench tested prior to installation. A bench test consists of, checking the impeller to assure it is free turning and a run test to assure the motor (and switch if provided) operate properly.

► Controls

Manual models require a separate approved pump control device or panel for automatic operation. Be sure the electrical specification of the control selected properly match the electrical specifications of the pump.

► Submergence

The pump should always be operated in the submerged condition. The minimum sump liquid level should never be less than above the pump's volute (See Figure 1).

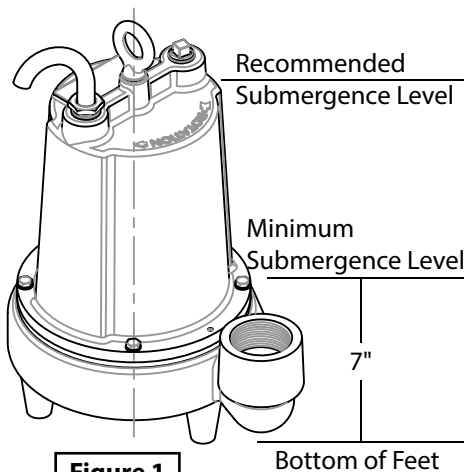


Figure 1

► Installation

There are two methods of installing effluent pumps:

1. In a Flex-Hose system, most commonly used in interceptor tanks, and
2. A slide rail in a package system or concrete wet well, which allows the pump(s) to be installed or removed without requiring personnel to enter the wet well.

The sump, basin or lift station shall be sealed and vented in accordance with local plumbing codes. **This pump is designed to pump sewage, effluent or wastewater, non-explosive and non-corrosive liquids and shall NOT be installed in locations classified as hazardous in accordance with the National Electrical Code (NEC) ANSI/NFPA 70 or Canadian Electric Code (CEC).** The pump should never be installed in a trench, ditch, or hole with a dirt bottom. The legs will sink into the dirt and the suction will become plugged.

The installation should be at a sufficient depth to ensure that all plumbing is below the frost line. If this is not feasible, remove the check valve and size the basin to accommodate the additional backflow volume.

► Discharge Piping

Discharge piping should be as short as possible and sized no smaller than the pump discharge. **Do not reduce the discharge pipe size below that which is provided on the pump.** Both a check valve and a shut-off valve are recommended for each pump. The check valve is used to prevent backflow into the sump. The shut-off valve is used to manually stop system flow during pump servicing.

► Liquid Level Controls

The level control(s) should be mounted on the discharge piping, a cable rack or float pole. The level control should have adequate clearance so it cannot hang up in its swing and that the pump is completely submerged when the level control is in the "Off" mode. By adjusting the cord tether the control level can be changed. One cycle of operation should be observed, so that any potential problems can be corrected.

It is recommended that the level control float should be set to insure that the liquid in the sump never drops below the top of the motor housing or a minimum level of 7" above the basin floor.

► Electrical Connections

Power cable:

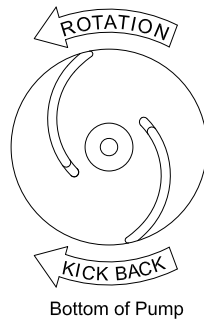
The power cable mounted to the pump must not be modified in any way except for shortening to a specific application. Any splice between the pump and the control panel must be made in accordance with the electric codes. It is recommended that a junction box, if used, be mounted outside the sump or be of at a minimum Nema 4 construction if located within the wet well. **DO NOT USE THE POWER CABLE TO LIFT PUMP.**

Always rely upon a Certified Electrician for installation.

Overload Protection:

Single Phase - The stator in-winding overload protector used is referred to as an inherent overheating protector and operates on the combined effect of temperature and current. This means that the overload protector will trip out and shut the pump off if the windings become too hot, or the load current passing through them becomes too high.

IMPORTANT! - The overload will then automatically reset and start the pump up after the motor cools to a safe temperature. In the event of an overload, the source of this condition should be determined and corrected immediately.



⚠ WARNING DO NOT ALLOW THE PUMP TO CYCLE OR RUN IF AN OVERLOAD CONDITION OCCURS.

If current through the temperature sensor exceeds the values listed, an intermediate control circuit relay must be used to reduce the current or the sensor will not work properly.

TEMPERATURE SENSOR ELECTRICAL RATINGS		
Volts	Continuous Amperes	Inrush Amperes
110-120	3.00	30.0
220-240	1.50	15.0

Wire Size:

If longer power cable is required consult a qualified electrician for proper wire size.

▶ **Pre-Operation**

- 1. Check Voltage and Phase** - Compare the voltage and phase information stamped on the pump name plate.
- 2. Check Pump Rotation** - Improper motor rotation can result in poor pump performance and can damage the motor and/or pump. Incorrect rotation for Single-Phase pumps is unlikely. Impeller rotation is counter-clockwise as viewed from bottom of pump.

3. **Name Plate** - Record the information from the pump name plate to drawing in front of manual for future reference.

4. **Insulation Test** - An insulation (megger) test should be performed on the motor. Before the pump is put into service. The resistance values (ohms) as well as the voltage (volts) and current (amps) should be recorded.

5. **Pump-Down Test** - Be sure pump has been properly wired, lowered into the basin, sump or lift station, check the system by filling with liquid and allowing the pump to operate through its pumping cycle. The time needed to empty the system, or pump-down time along with the volume of water, should be recorded.

▶ **Maintenance**

No lubrication or maintenance is required. Perform the following checks when pump is removed from operation or when pump performance deteriorates:

- Inspect motor chamber for oil level and contamination.
- Inspect impeller and body for excessive build-up or clogging.
- Inspect motor, bearings and shaft seal for wear or leakage.

▶ **Servicing**

NOTE: Item numbers in () refer to Figure 6 and 7.

Cooling Oil - Anytime the pump is removed from operation, the cooling oil in the motor housing should be checked visually for oil level and contamination. To check oil, set unit upright. Remove pipe plug (16) from housing (4). With a flashlight, visually inspect the oil in the housing (4) to make sure it is clean and clear, light amber in color and free from suspended particles. Milky white oil indicates the presence of water. Oil level should be just above the motor when pump is in vertical position.

Oil Testing

- ÿ Drain oil into a clean, dry container by placing pump on it's side, remove pipe plug (16), from housing (4).
- ÿ Check oil for contamination using an oil tester with a range to 30 kilovolts breakdown.
- ÿ If oil is found to be clean and uncontaminated (measuring above 15 kV breakdown), refill the housing.
- ÿ If oil is found to be dirty or contaminated (or measures below 15 kV breakdown), the pump must be carefully inspected for leaks at the shaft seal, cable assembly, square ring and pipe plug, before refilling with oil. To locate the leak, perform a pressure test.

After leak is repaired, dispose of old oil properly, and refill with new oil.

Pressure Test (If oil has been drained) - Remove pipe plug (16) from housing (4). Apply pipe sealant to pressure gauge assembly and tighten into hole. Pressurize motor housing to 10 PSI. Use soap solution around the sealed areas and inspect joints for "air bubbles".

If, after five minutes, the pressure is still holding constant, and no "bubbles" are observed, slowly bleed the pressure and remove the gauge assembly. Replace oil. Leak must be located and repaired if pressure does not hold.

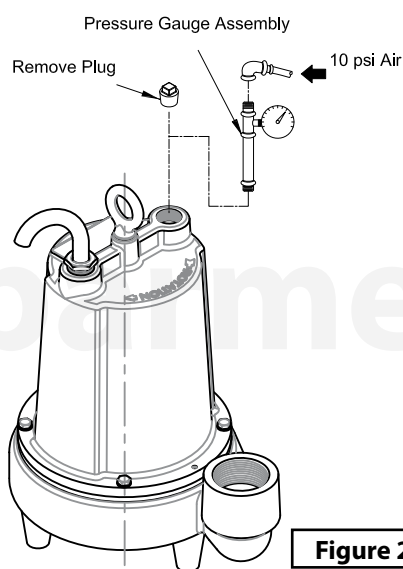


Figure 2

Pressure Test (If oil has NOT been drained) - Oil should be at normal level. Remove pipe plug (16) from housing (4). Apply pipe sealant to pressure gauge assembly and tighten into hole. Pressurize motor housing to 10 PSI. Use soap solution around the sealed areas above the oil level and inspect joints for "air bubbles". For sealed areas below oil level, leaks will seep oil. If, after five minutes, the pressure is still holding constant, and no "bubbles", oil seepage is observed, slowly bleed the pressure and remove the gauge assembly. Replace oil. Leak must be located and repaired if pressure does not hold.



*Pressure builds up extremely fast, increase pressure by "TAPPING" air nozzle. Too much pressure will damage seal. **DO NOT exceed 10 PSI.***

Oil Replacement - Set unit upright and refill with new cooling oil as per table below. Fill to just above motor, but below capacitor as an air space must remain in the top of the housing to compensate for oil expansion. Apply pipe thread compound to threads of pipe plug (16) then assemble to housing (4).



***DO NOT** overfill oil. Overfilling of housing with oil can create excessive and dangerous hydraulic pressure which can destroy the pump and create a hazard.*

Overfilling oil voids warranty.

Cooling Oil Recommended Supplier/Grade	
BP	Enerpar SE100
Conoco	Pale Parafin 22
Mobile	D.T.E. Oil Light
Shell Canada	Transformer-10
Texaco	Diala-Oil-AX

► Disassembly and Assembly Impeller, V-ring and Volute:

1. Disconnect power.
2. Remove cap screws (8) and lock washers (9) vertically lift motor, housing and seal plate assembly from volute (1). Clean out volute (1) if necessary.
3. Inspect gasket (12) and replace if cut or damaged.
4. Clean and examine impeller (2), for cracks or breakage and replace if required. To remove impeller (2), remove impeller nut (10), place a flat screwdriver in the slot of the end of the shaft to hold the shaft stationary while unscrewing the impeller (2).

To reassemble:

4. Clean the threads with thread locking compound cleaner. Apply removable Loctite® 242 or equivalent to shaft threads.
5. Screw impeller (2) onto the shaft hand tight while using a screwdriver in the slot at the end of the shaft to hold it stationary.
6. Install impeller nut (10) and tighten. Rotate impeller to check for binding.
7. Position gasket (12) on volute flange and position impeller and motor housing assembly on volute (1).
8. Position lock washer (9) on cap screw (8) and screw into volute (1). Torque to 100 in-lbs. Check for free rotation of impeller.

Motor, Capacitor and Bearings:

1. Place pump upright on blocks or piece of PVC pipe, to avoid resting unit on shaft.
2. Disassemble volute and impeller as stated and drain oil from housing.
3. Loosen gland nut (19) and slide up cord along with washers (20) and grommet (21).
4. Remove socket head screws (15) from seal plate (3).
5. Slide motor housing (4) up cable (18) until wire connectors (24) are exposed. **NOTE wire connections for reassembly.**
6. Disconnect cable leads from motor leads and remove motor housing (4) and o-ring (11), replace if cut or damaged.

7. Check motor capacitor (29) with an Ohm meter by first grounding the capacitor by placing a screwdriver across both terminals and then removing screwdriver. Connect Ohm meter (set on high scale) to terminals. If needle moves to infinity (∞) then drifts back, the capacitor is good. If needle does not move or moves to infinity (∞) and does not drift back, replace capacitor (29).

8. Inspect motor winding for shorts and check resistance values. Check rotor for wear. If rotor or the stator windings are defective, the complete motor must be replaced.

9. Disconnect capacitor leads from capacitor (29). Remove v-ring (13) and spacer (14) from seal plate (3). Remove bolts from motor stator (6) and lift stator up from rotor. Loosen conduit bushing (25) and remove motor rotor, bearing and seal assembly from seal plate (3).

Seal:

Remove rotating member (5b), spring (5c) and retaining ring (5d), from shaft (see Figure 3). Inspect for signs of uneven wear pattern on stationary member, chips and scratches on either seal face. Replace the complete seal if any part is damaged.

DO NOT interchange seal components, replace the entire shaft seal (6). If replacing seal, remove stationary from seal plate (3) by prying out with flat screwdriver.

Bearing:

Examine bearing (7) and replace if worn. Remove bearing (7) from shaft using a wheel puller, if replacement is required. The washer bushing (26) and conduit bushing (25) can now be removed.

► Reassembly



IMPORTANT! - All parts must be clean before reassembly. Handle seal parts with extreme care. DO NOT damage lapped surfaces.

Shaft Seal:

1. To reassemble, clean seal cavity in seal plate (3) and oil.

2. Press seal's (5) stationary member (5a) firmly into seal plate (3), using a seal tool or pipe. Nothing should come in contact with the seal face except the seal tool. Be sure the stationary is in straight. Lightly oil (**Do not use grease**) shaft and inner surface of bellows.

3. Slide retaining ring (5d) and spring (5c) over shaft and let rest on bearing. Lightly oil (Do not use grease) shaft, bullet and inner surface of bellows on rotating member (5b). See Figure 3.

4. With lapped surface of rotating member (5b) facing outward, slide over seal tool and onto shaft, making sure spring (5c) is seated in retaining ring (5d) and spring (5c) is lined up on rotating member (5b) and not cocked or resting on bellows tail.

5. Place conduit bushing (25) and washer (26) onto shaft.

6. Slide rotor/shaft (6) with bearing (7) and seal (5) into seal plate (3) until bearing (7) seats into seal plate.

7. Locate washer (26) into place on bearing and tighten conduit bushing (25) onto seal plate (3).

8. Place stator (6) over rotor (6), lining up motor bolts with holes in seal plate (3).

9. Position capacitor (29) on motor with clamp (30) and reconnect capacitor leads.

10. Torque motor bolts to 17 in-lbs. Set square ring (11) in groove on seal plate (3).

11. Lower motor housing (4) down onto seal plate (3) while aligning holes and stringing motor leads through the cord entry bore.

12. Place socket head screws (15) through seal plate (3) into housing (4) and torque to 60 in-lbs.

13. Reconnect motor leads, as shown in Figure 5.

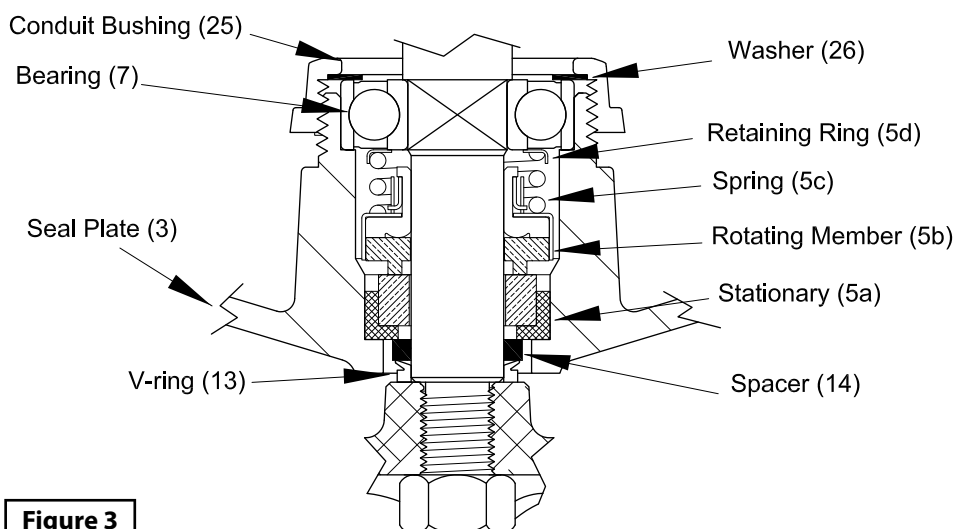


Figure 3

Cable Assembly:

14. Check power cord (18) for cracks or damage and replace if required. Insert one washer (20), grommet (21), washer (20) into motor housing (4). Apply pipe sealant to gland nut (19) and screw into motor housing (4). Torque gland nut to (19) to 15 ft. lbs. to prevent water leakage (See Figure 4). Refill the cooling oil and replace pipe plug (16).

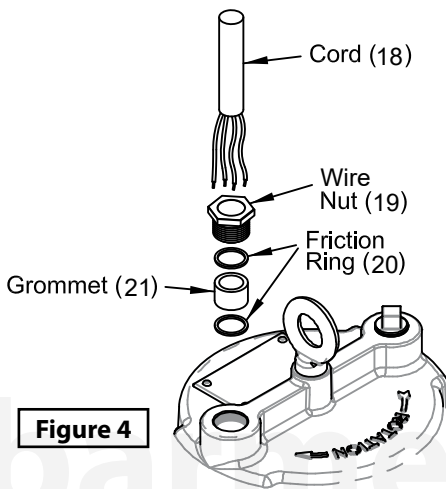


Figure 4

15. Insert spacer (14) and v-ring (13) into seal plate (3) and reassemble remaining parts per "Impeller, V-ring and Volute" section on page 7.

**SINGLE-PHASE 115/230V AC
POWER CORD 3x14**

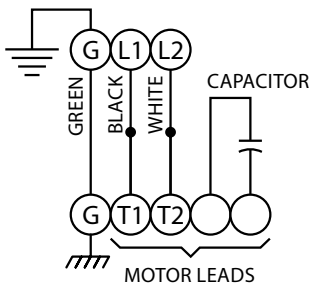


Figure 5	
Cable	Motor Lead Number
Green	Green
Black	1
White	2
Flag terminal	Capacitor
Flag terminal	Capacitor

**THREE-PHASE 208/230V AC
POWER CORD 4x12**

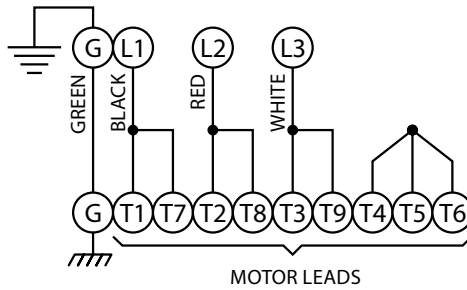


Figure 5	
Cable	Motor Lead Number
Green	Green
Black	1 and 7
Red	2 and 8
White	3 and 9
	4, 5 and 6 together

**THREE-PHASE 460V AC
POWER CORD 4x12**

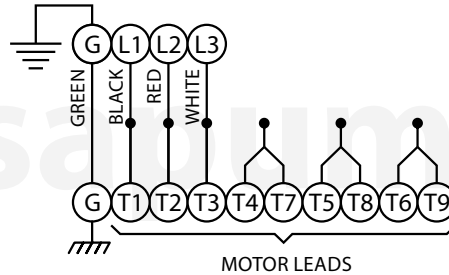
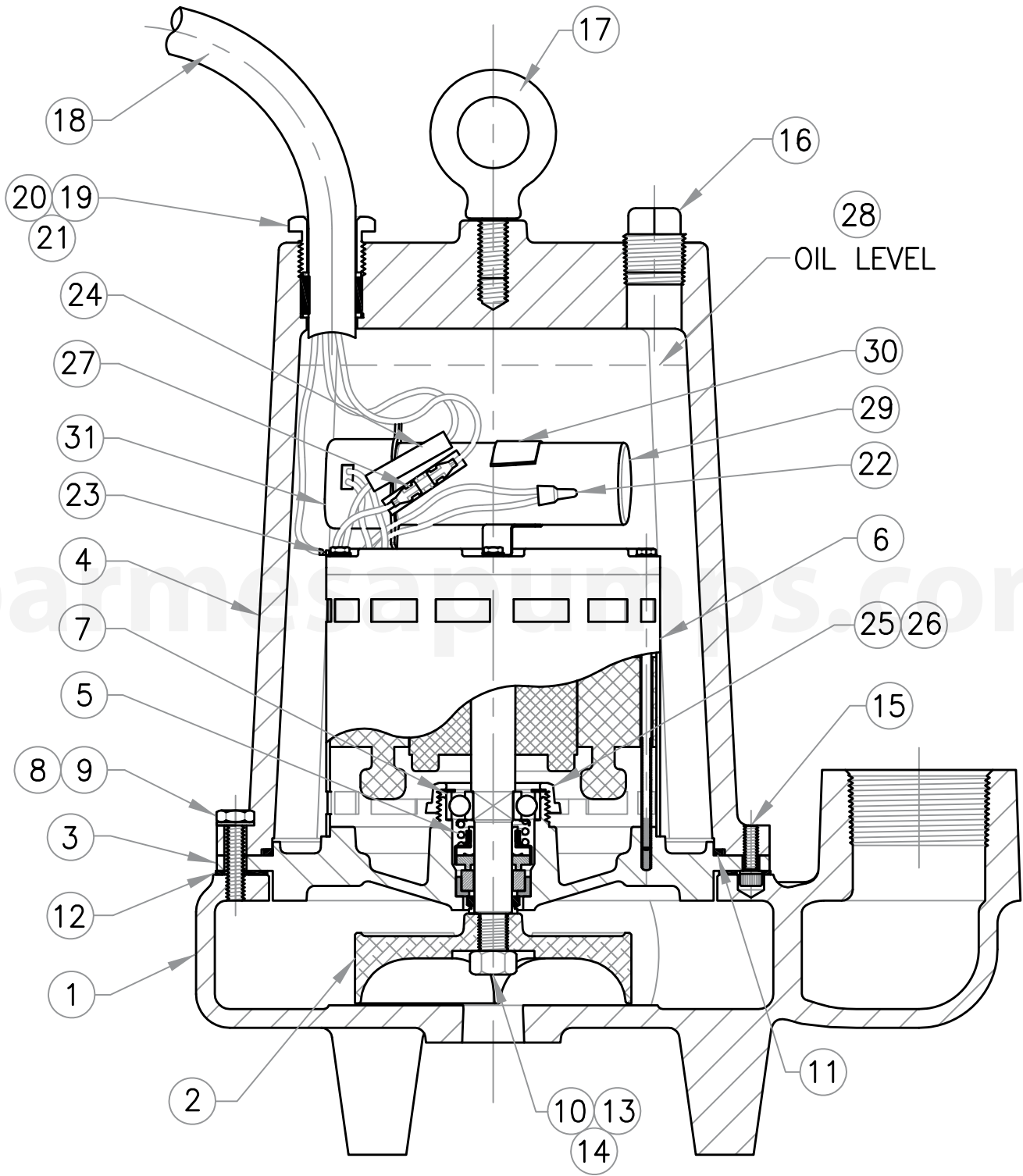


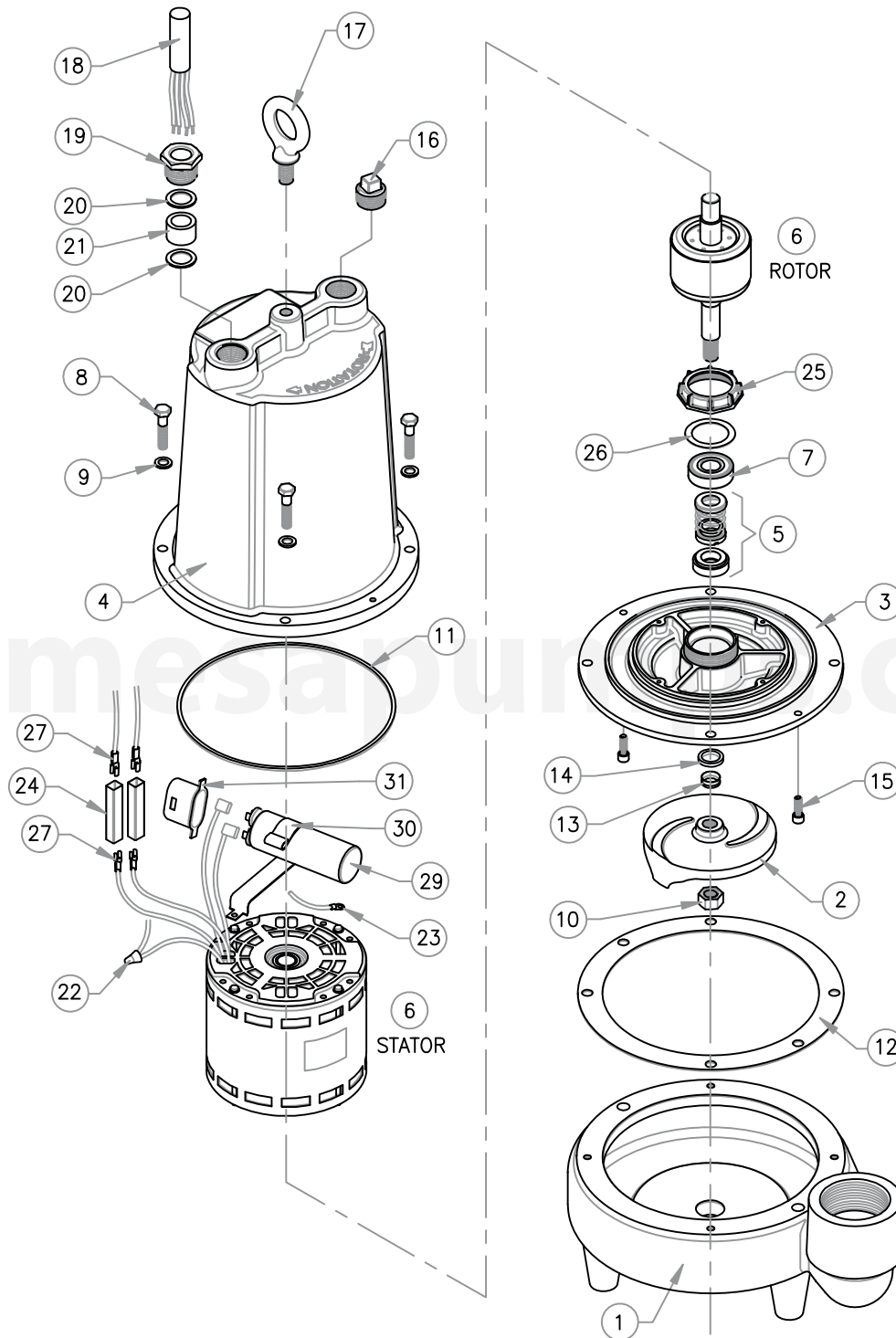
Figure 5	
Cable	Motor Lead Number
Green	Green
Black	1
Red	2
White	3
	4 and 7 together
	5 and 8 together
	6 and 9 together

Figure 6



For Repair Part Please supply: Model Number and Serial as shown on Name Plate, and Part Description and Part Number as shown on Parts List.

Figure 7



For Repair Part Please supply: Model Number and Serial as shown on Name Plate, and Part Description and Part Number as shown on Parts List.

P A R T L I S T			
ITEM	QTY.	DESCRIPTION	PART. No.
1	1	VOLUTE	03090055
2	1	IMPELLER	
		1/2 H.P. (4.0"Ø STD. DIAMETER)	03140104
		1 H.P. (4.625"Ø STD. DIAMETER)	03140104B
3	1	SEAL PLATE	03180011
4	1	MOTOR HOUSING	
		FOR SINGLE PHASE	03100001
		FOR THREE PHASE	03100001B
5	1	SHAFT SEAL	31030151
6	1	MOTOR	
		1/2 H.P., SINGLE PHASE, 3450 R.P.M.	40040011
		1 H.P., SINGLE PHASE, 3450 R.P.M.	40040012
		1 H.P., THREE PHASE, 3450 R.P.M.	40040013
7	1	BALL BEARING	31020008
8	4	HEX. HEAD SCREW 5/16"x 1-1/2" SS	91010343
9	4	LOCKWASHER 5/16" SS	91010060
10	1	IMPELLER HEX NUT 1/2" SS	91010441
11	1	HOUSING-SEAL PLATE, GASKET # 27269	92010082
12	1	VOLUTE GASKET # 27344	92010147
13	1	GASKET "V", # 56789	92010111
14	1	SPACER	92010086
15	2	SOC. HD. CAP SCREW 1/4"x3/4" LG. SS	91010391
16	1	PIPE PLUG 3/4" NPT	93010148
17	1	EYE BOLT 1/2-13UNC x 1"	91010406
18	15 Ft.	POWER CABLE	
		3x14 FOR 1/2 & 1 H.P., SINGLE PHASE	31030002
		4x12 FOR 1 H.P., THREE PHASE	31030004
19	1	HEX HEAD PLUG	
		FOR 1/2 & 1 H.P., SINGLE PHASE	30400901
		FOR 1 H.P., THREE PHASE	30400902
20	2	WASHER # 54746	
		FOR 1/2 & 1 H.P., SINGLE PHASE	91010057
		FOR 1 H.P., THREE PHASE	91010056
21		GROMMET # 514	
	1	FOR 1/2 & 1 H.P., SINGLE PHASE	92010005
	1	FOR 1 H.P., THREE PHASE	92010004
22		WIRE CONNECTOR (THREE PHASE)	94010012
	1	FOR 230 VOLTS	
	3	FOR 460 VOLTS	
23	1	TERMINAL 3/16"Ø	94010043
24		TERMINAL CONNECTOR	94010027
	2	FOR 1/2 & 1 H.P., SINGLE PHASE	
	3	FOR 1 H.P., THREE PHASE	
25	1	CONDUIT BUSHING	31190022
26	1	WASHER BUSHING # 25016	91010053
27		FEMALE CONNECTOR # 71363	94010041
	2	FOR 1/2 & 1 H.P., SINGLE PHASE	
	6	FOR 1 H.P., THREE PHASE	
28	0.8 Gal.	OIL MOTOR HOUSING	31010031
29	1	CAPACITOR # 23406	31030031
		ONLY FOR 1/2 & 1 H.P., SINGLE PHASE	
30	1	CLAMP	93010001
31	1	WIRE CONNECTOR	94010011

For Repair Part Please supply: Model Number and Serial as shown on Name Plate, and Part Description and Part Number as shown on Parts List.



Risk of electric shock. Always disconnect the pump from the power source before handling inspections or repairs.

Symptom	Possible Cause(s)	Corrective Action
Pump will not run	<ol style="list-style-type: none"> 1. Poor electrical connection, blown fuse, tripped breaker or other interruption of power; improper power supply 2. Motor or switch inoperative (go to manual operation) <ol style="list-style-type: none"> 2a. Float movement restricted 2b. Switch will not activate pump or is defective 2c. Defective motor 3. Insufficient liquid level 	<ol style="list-style-type: none"> 1. Check all electrical connections for security. Have electrician measure current in motor leads, if current is within $\pm 20\%$ of locked rotor Amps, impeller is probably locked. If current is 0, overload may be tripped. Remove power, allow pump to cool, then re-check current. 2a. Reposition pump or clean basin as required to provide adequate clearance for float 2b. Disconnect level control. Set ohmmeter for a low range, such as 100 ohms full scale and connect to level control leads. Actuate level control manually and check to see that ohmmeter shows zero ohms for closed switch and full scale for open switch. (Float Switch) 2c. Check winding insulation (Megger Test) and winding resistance. If check is outside of range, dry and re-check. If still defective, replace per service instructions.
Pump will not turn off	<ol style="list-style-type: none"> 2a. Float movement restricted 2b. Switch will not activate pump or is defective 4. Excessive inflow or pump not properly sized for application 9. Pump may be air locked causing pump not to flow 14. H-O-A switch on panel is in "HAND" position 	<ol style="list-style-type: none"> 3. Make sure liquid level is above the pump 4. Re-check all sizing calculations to determine proper pump size. 5. Check discharge line for restrictions, including ice if line passes through or into cold areas. 6. Remove and examine check valve for proper installation and freedom of operation 7. Open valve 8. Check impeller for freedom of operation, security and condition. Clean impeller cavity and inlet of any obstruction 9. Loosen union slightly to allow trapped air to escape. Verify that turn-off level of switch is set so that the suction is always flooded. Clean vent hole
Pump hums but doesn't run	<ol style="list-style-type: none"> 1. Incorrect low voltage 8. Impeller jammed or loose on shaft, or inlet plugged 	<ol style="list-style-type: none"> 10. Check rotation. If power supply is three phase, reverse any two of three power supply leads to ensure proper impeller rotation 11. Repair fixtures as required to eliminate leakage 12. Check pump temperature limits and fluid temperature 13. Replace portion of discharge pipe with flexible connector or tighten existing piping.
Pump delivers insufficient capacity	<ol style="list-style-type: none"> 1. Incorrect low voltage 4. Excessive inflow or pump not properly sized for application 5. Discharge restricted 6. Check valve partially closed or installed backwards 7. Shut-off valve closed 8. Impeller jammed or loose on shaft, or inlet plugged 9. Pump may be air locked causing pump not to flow 10. Piping fixtures leaking or discharge before the nozzle 	<ol style="list-style-type: none"> 14. Turn to automatic position 15. Check for leaks around basin inlet and outlets
Pump cycles too frequently or runs periodically when fixtures are not in use	<ol style="list-style-type: none"> 6. Check valve partially closed or installed backwards 11. Fixtures are leaking 15. Ground water entering basin 	
Pump shuts off and turns on independent of switch, (trips thermal overload protector). CAUTION! Pump may start unexpectedly. Disconnect power supply.	<ol style="list-style-type: none"> 1. Incorrect low voltage 4. Excessive inflow or pump not properly sized for application 8. Impeller jammed or loose on shaft, or inlet plugged 12. Excessive water temperature (internal protection only) 	
Pump operates noisily or vibrates excessively	<ol style="list-style-type: none"> 2c. Worn bearings, motor shaft bent 5. Debris in impeller cavity or broken impeller 10. Pump running backwards 13. Piping attachments to building structure too loose or rigid 	

NOTE: Barmesa Pumps assumes no responsibility for damage or injury due to disassembly in the field. Disassembly of the pumps or supplied accessories other than at Barmesa Pumps or its authorized service centers, automatically voids warranty.

BARMESA PUMPS FACTORY WARRANTY

Barmesa Pumps warrants that products of our manufacture will be free of defects in material and workmanship under normal use and service for 18 months from date of manufacture or 12 months from installation date whichever occurs first. This warranty gives you specific legal rights, which vary from state to state.

This warranty is a limited warranty, and no warranty related claims of any nature whatsoever shall be made against Barmesa Pumps, until the ultimate consumer or his/her successor notifies us in writing of the defect and delivers the product and/or defective part(s) freight prepaid to our factory or nearest authorized service station as instructed by Barmesa Pumps. THERE SHALL BE NO FURTHER LIABILITY, WHETHER BASED ON WARRANTY, NEGLIGENCE OR OTHERWISE. PRODUCT SHALL BE EITHER REPLACED OR REPAIRED AT THE ELECTION OF BARMESA PUMPS. Guarantees relating to performance specifications provided in addition to the foregoing material and workmanship warranties on a product manufactured by Barmesa Pumps, if any, are subject to possible factory testing. Any additional guarantees, in the nature of certified performance specifications or time frame must be in writing and such writing must be signed by our authorized factory manager at time of order placement and/or at time of quotation. Due to inaccuracies in field testing and should a conflict arises between the results of field testing conducted by or for the user, Barmesa Pumps reserves the right to have the product returned to our factory for additional testing.

This warranty shall not apply when damage is caused by (1) improper installation, (2) improper voltage, (3) lightning, (4) excessive sand or other abrasive material, (5) corrosion build-up due to excessive chemical content or (6) uncontrollable acts of god. Any modification of the original equipment will also void the warranty. We will not be responsible for loss, damage or labor cost due to interruption of service caused by defective pumps, parts or systems. Barmesa Pumps will not accept charges incurred by others without our prior written approval.

This warranty is void if our inspection reveals the product was used in a manner inconsistent with normal industry practice and/or our specific recommendations. The purchaser is responsible for communication of all necessary information regarding the application and use of the product. UNDER NO CIRCUMSTANCES WILL WE BE RESPONSIBLE FOR ANY OTHER DIRECT OR CONSEQUENTIAL DAMAGES, INCLUDING BUT NOT LIMITED TO TRAVEL EXPENSES, CONTRACTOR FEES, UNAUTHORIZED REPAIR SHOP EXPENSES, LOST PROFITS, LOST INCOME, LABOR CHARGES, DELAYS IN PRODUCTION, IDLE PRODUCTION, WHICH DAMAGES ARE CAUSED BY ANY DEFECTS IN MATERIAL AND/OR WORKMANSHIP AND/OR DAMAGE OR DELAYS IN SHIPMENT. THIS WARRANTY IS EXPRESSLY IN LIEU OF ANY OTHER EXPRESS OR IMPLIED WARRANTY. No rights extended under this warranty shall be assigned to any other person, whether by operation of law or otherwise, without our prior written approval.

IMPORTANT!

If you have a claim under the provision of the warranty, contact Barmesa Pumps or your authorized Barmesa Pumps Distributor:
warranty@barmesapumps.com
www.barmesapumps.com



